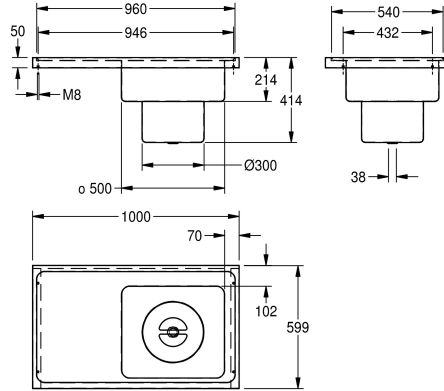


KWC SIRIUS Plaster sink

Modell-Linie: SIRIUS | SIRX835
Utility sinks | Cleaners sinks



KWC-No.

2000071901

Draining surface left, bowl dimensions 450 x 500 x 150 mm (W x H x D)

2000071902

Drainboard right

drainer position

left

right

Plaster sink for work top mounting, stainless steel, surface satin finished, material thickness 1.5 mm, seamless welded bowl with diameter 450 x 500 x 150 mm, bowl and drain board with revolving channel, 1 1/2" centric waste hole punch, removable

plaster basket with cover.

Dimensions 1000 x 420 x 600 mm (W x H x D)
Drainboard left

Technical Data

bowl position	
bowl construction	
bowl - bowl height	
bowl - depth	
bowl - width	
brushes	
drainer position	
drainer or storage	
grid	
material	
material code	
material thickness	
number of waste holes	
outlet size	
overall depth	
overall height	
overall width	
overflow	
rear upstand	
wash riffle	
spillway	
splash back	
sump	

right	
radius corners	
200 mm	
440 mm	
500 mm	
Without brushes	
left	
drainer	
no	
stainless steel	
1.4301 Chrome Nickel steel V2A	
1.2 mm	
1	
DN 40	
600 mm	
420 mm	
1,000 mm	
no	
yes	
no	
no	
no	
yes	

KWC SIRIUS Plaster sink

Modell-Linie: SIRIUS | SIRX835
Utility sinks | Cleaners sinks

sump basket	included
sump depth	200 mm
sump diameter	300 mm
surface finish	satın finished
tap ledge	yes
type of mounting	wall mounting
type of utility sink	plaster sink
waste hole position	centre
waste hole projection	300 mm
waste kit included	yes
waste size	DN 40

Optional Accessories



Feet for plaster sink

2000103301
SIRX838



SIRIUS bracket pair

2000103337
SIRX837