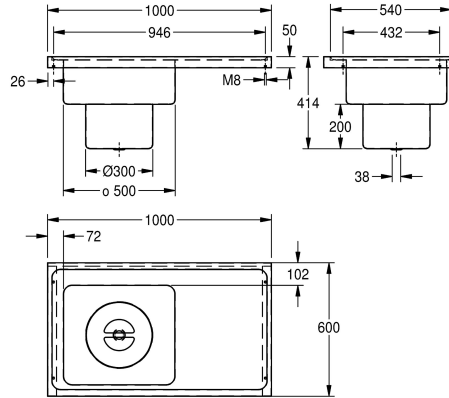


KWC SIRIUS Plaster sink

Modell-Linie: SIRIUS | SIRX836
Utility sinks | Cleaners sinks



KWC-No.

2000071901

Draining surface left, bowl dimensions 450 x 500 x 150 mm (W x H x D)

2000071902

Drainboard right

drainer position

left

right

Plaster sink for work top mounting, stainless steel, surface satin finished, material thickness 1.5 mm, seamless welded bowl with diameter 450 x 500 x 150 mm, bowl and drain board with revolving channel, 1 1/2" centric waste hole punch, removable

plaster basket with cover.

Drainboard right
Dimensions 1000 x 420 x 600 mm (W x H x D)

Technical Data

bowl position
bowl construction
bowl - bowl height
bowl - depth
bowl - width
brushes
drainer position
drainer or storage
grid
material
material code
material thickness
number of waste holes
outlet size
overall depth
overall height
overall width
overflow
rear upstand
wash riffle
spillway
splash back
sump

left
radius corners
200 mm
440 mm
500 mm
Without brushes
right
drainer
no
stainless steel
1.4301 Chrome Nickel steel V2A
1.2 mm
1
DN 40
600 mm
420 mm
1,000 mm
no
yes
no
no
no
yes

KWC SIRIUS Plaster sink

Modell-Linie: SIRIUS | SIRX836
Utility sinks | Cleaners sinks

sump basket	included
sump depth	200 mm
sump diameter	300 mm
surface finish	satin finished
tap ledge	yes
type of mounting	wall mounting
type of utility sink	plaster sink
waste hole position	centre
waste hole projection	300 mm
waste size	DN 40

Optional Accessories



Feet for plaster sink

2000103301
SIRX838



SIRIUS bracket pair

2000103337
SIRX837