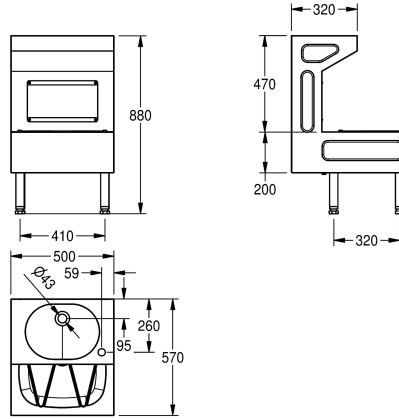


KWC SIRIUS

Stand drain - washbasin combination

Modell-Linie: SIRIUS | SIRX832

Utility sinks | Cleaners sinks



KWC-No.

2000071907

Dimensions 500 x 880 x 570 mm (W x H x D)

Cleaner sink wash basin combination, free standing or for wall mounting, stainless steel, surface satin finished, material thickness 1.2 mm, seamless welded bowl with diameter 360 x 272 x 135 mm, without overflow, 1 1/4" flat perforated waste, inclusive tap hole top right, sink with diameter 420 x 350 x 180 mm and

revolving channel, 1 1/2" domed waste, drainage centric, inclusive stainless steel folding grid with rubber bumps, removable inspection cover, feet height adjustable.

Dimensions 500 x 880 x 570 mm (W x H x D)

Technical Data

| | |
|---------------------|--|
| type of basin | |
| bowl position | |
| bowl - bowl height | |
| bowl finish | |
| bowl - depth | |
| bowl shape | |
| bowl - width | |
| colour | |
| grid | |
| grid material | |
| material | |
| material code | |
| material thickness | |
| overall depth | |
| overall height | |
| overall width | |
| overflow | |
| rear upstand | |
| wash riffle | |
| siphon diameter | |
| siphon included | |
| spillway | |
| splash back | |
| surface finish | |
| number of tap holes | |

| | |
|--------------------------------|--|
| Wash basin | |
| Center | |
| 180 mm | |
| satin finished | |
| 360 mm | |
| oval | |
| 420 mm | |
| no colour | |
| hinged | |
| stainless steel | |
| stainless steel | |
| 1.4301 Chrome Nickel steel V2A | |
| 1.2 mm | |
| 570 mm | |
| 880 mm | |
| 500 mm | |
| no | |
| no | |
| no | |
| DN 32 | |
| no | |
| no | |
| no | |
| satin finished | |
| 1 | |



KWC SIRIUS

Stand drain - washbasin combination

Modell-Linie: SIRIUS | SIRX832

Utility sinks | Cleaners sinks

| | |
|----------------------------|--------------------------------|
| tap hole diameter | 35 mm |
| tap hole position | right |
| tap ledge | no |
| type of mounting | wall and floor mounting |
| upper edge of basin height | 880 mm |
| waste hole position | centre back |
| waste hole projection | 95 mm |
| waste kit included | yes |
| waste size | DN 40 |
| waste sleeve included | no |
| bowl position | Center |
| bowl construction | radius corners |
| bowl - bowl height | 180 mm |
| bowl finish | satın finished |
| bowl - depth | 360 mm |
| bowl shape | oval |
| bowl - width | 420 mm |
| brushes | without brushes |
| drainer or storage | no |
| grid | hinged |
| grid material | stainless steel |
| material | stainless steel |
| material code | 1.4301 Chrome Nickel steel V2A |
| material code grid | 1.4301 Chrome Nickel steel V2A |
| material thickness | 1.2 mm |
| number of waste holes | 2 |
| overall depth | 570 mm |
| overall height | 880 mm |
| overall width | 500 mm |
| overflow | no |
| rear upstand | no |
| wash riffle | no |
| siphon included | no |
| spillway | no |
| splash back | no |
| sump | no |
| sump basket | no |
| surface finish | satın finished |
| number of tap holes | 1 |
| tap hole diameter | 35 mm |
| tap hole position | right |
| tap ledge | no |
| type of mounting | wall and floor mounting |
| type of utility sink | multi purpose sink |
| upper edge of basin height | 880 mm |
| number of wash places | 2 |
| waste hole position | centre back |



KWC SIRIUS

Stand drain - washbasin combination

Modell-Linie: SIRIUS | SIRX832

Utility sinks | Cleaners sinks

| | |
|-----------------------|-------|
| waste hole projection | 95 mm |
| waste kit included | yes |
| waste size | DN 40 |