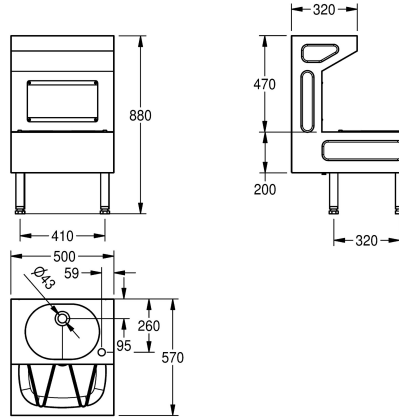


## KWC SIRIUS

### Stand drain - washbasin combination

Modell-Linie: SIRIUS | SIRX832

Utility sinks | Cleaners sinks



#### KWC-No.

**2000071907**

Dimensions 500 x 880 x 570 mm (W x H x D)

Cleaner sink wash basin combination, free standing or for wall mounting, stainless steel, surface satin finished, material thickness 1.2 mm, seamless welded bowl with diameter 360 x 272 x 135 mm, without overflow, 1 1/4" flat perforated waste, inclusive tap hole top right, sink with diameter 420 x 350 x 180 mm and

revolving channel, 1 1/2" domed waste, drainage centric, inclusive stainless steel folding grid with rubber bumps, removable inspection cover, feet height adjustable.

Dimensions 500 x 880 x 570 mm (W x H x D)

#### Technical Data

type of basin	Wash basin
bowl position	center
bowl - bowl height	180 mm
bowl finish	satin finished
bowl - depth	360 mm
bowl shape	oval
bowl - width	420 mm
colour	No colour
grid	hinged
grid material	stainless steel
material	stainless steel
material code	1.4301 Chrome Nickel steel V2A
material thickness	1.2 mm
overall depth	570 mm
overall height	880 mm
overall width	500 mm
overflow	no
rear upstand	no
wash riffle	no
siphon diameter	DN 32
siphon included	no
spillway	no
splash back	no
surface finish	satin finished
number of tap holes	1

Wash basin
center
180 mm
satin finished
360 mm
oval
420 mm
No colour
hinged
stainless steel
stainless steel
1.4301 Chrome Nickel steel V2A
1.2 mm
570 mm
880 mm
500 mm
no
no
no
DN 32
no
no
no
satin finished
1



## KWC SIRIUS

### Stand drain - washbasin combination

**Modell-Linie: SIRIUS | SIRX832**

Utility sinks | Cleaners sinks

tap hole diameter	35 mm
tap hole position	right
tap ledge	no
type of mounting	wall and floor mounting
upper edge of basin height	880 mm
waste hole position	centre back
waste hole projection	95 mm
waste kit included	yes
waste size	DN 40
waste sleeve included	no
bowl position	center
bowl construction	radius corners
bowl - bowl height	180 mm
bowl finish	satın finished
bowl - depth	360 mm
bowl shape	oval
bowl - width	420 mm
brushes	Without brushes
drainer or storage	no
grid	hinged
grid material	stainless steel
material	stainless steel
material code	1.4301 Chrome Nickel steel V2A
material code grid	1.4301 Chrome Nickel steel V2A
material thickness	1.2 mm
number of waste holes	2
overall depth	570 mm
overall height	880 mm
overall width	500 mm
overflow	no
rear upstand	no
wash riffle	no
siphon included	no
spillway	no
splash back	no
sump	no
sump basket	no
surface finish	satın finished
number of tap holes	1
tap hole diameter	35 mm
tap hole position	right
tap ledge	no
type of mounting	wall and floor mounting
type of utility sink	multi purpose sink
upper edge of basin height	880 mm
number of wash places	2
waste hole position	centre back



## KWC SIRIUS

Stand drain - washbasin combination

**Modell-Linie: SIRIUS | SIRX832**

Utility sinks | Cleaners sinks

waste hole projection	95 mm
waste kit included	yes
waste size	DN 40