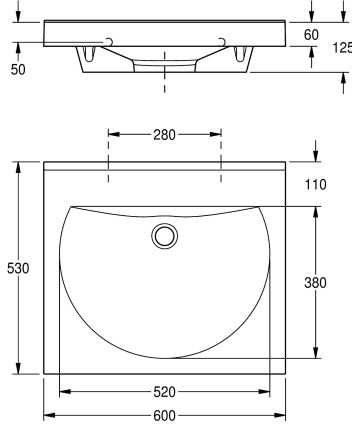
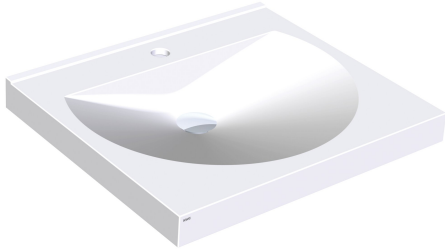


KWC RONDA Single washbasin

Modell-Linie: **RONDA | ANMW210**
Washbasins & Washtroughs | Wash basins



KWC-No.

2000090005

With 35 mm diameter tap hole

2000090004

Without tap holes

number of tap holes

1

RONDA single washbasin made of MIRANIT resin-bonded mineral material with smooth, pore-free surface (temperature-resistant up to 80 °C). Colour Alpine white. With seamless round bowl, flattened out at the rear, without overflow. Mounting on washbasin back panel. Rear contoured edge. Three-sided apron 60 mm (H). Without

tap hole. Mounting material included.

Dimensions 600 x 60 x 530 mm (W x H x D)
Bowl dimensions 520 x 90 x 380 (W x H x D)

Technical Data

bowl position
bowl - bowl height
bowl - depth
bowl shape
bowl - width
colour
material
material code
overall depth
overall height
overall width
overflow
rear upstand
siphon included
splash back
tap ledge
type of mounting
waste hole position
waste hole projection
waste kit included
waste size

center
90 mm
380 mm
circle with straight sides
520 mm
alpinewhite
mineral material
Miranit
530 mm
125 mm
600 mm
no
yes
no
no
yes
wall mounting
centre back
185 mm
no
DN 32

Optional Accessories

KWC RONDA Single washbasin

Modell-Linie: RONDA | ANMW210
Washbasins & Washtroughs | Wash basins



Strainer waste

2000100854
ZANMW901



Dome waste valve

2000100861
ZANMW900



Drain and overflow set

2000100932
ZANMW902



Trap

2000057417
XINX140