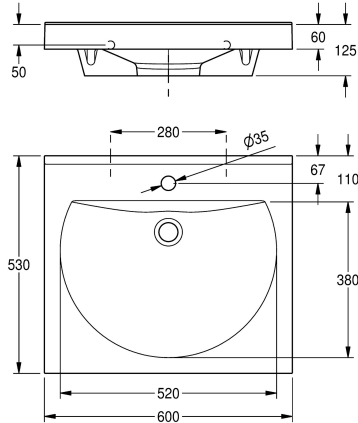
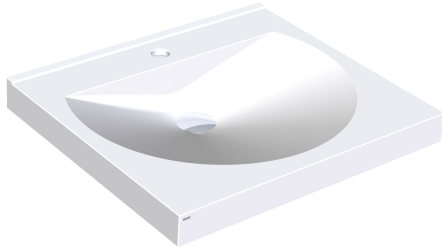


## KWC RONDA Single washbasin

Modell-Linie: **RONDA | ANMW211**  
Washbasins & Washtroughs | Wash basins



### KWC-No.

**2000090005**

With 35 mm diameter tap hole

**2000090004**

Without tap holes

### number of tap holes

1

RONDA single washbasin made of MIRANIT resin-bonded mineral material with smooth and pore-free surface (temperature-resistant up to 80 °C). Colour Alpine white. With seamless round bowl, flattened out at the rear, without overflow. Mounting on washbasin back panel. Rear contoured edge. Three-sided apron 60 mm (H).

With tap hole 35 mm (D). Mounting material included.

Dimensions 600 x 125 x 530 mm (W x H x D)  
Bowl dimensions 520 x 90 x 380 mm (W x H x D)

### Technical Data

bowl position

center

bowl - bowl height

90 mm

bowl - depth

380 mm

bowl shape

circle with straight sides

bowl - width

520 mm

colour

alpinewhite

material

mineral material

material code

Miranit

overall depth

530 mm

overall height

125 mm

overall width

600 mm

overflow

no

rear upstand

yes

siphon included

no

splash back

no

number of tap holes

1

tap hole diameter

35 mm

tap hole position

middle

tap ledge

yes

type of mounting

wall mounting

waste hole position

centre back

waste hole projection

185 mm

waste kit included

no



## KWC RONDA Single washbasin

Modell-Linie: **RONDA | ANMW211**  
Washbasins & Washtroughs | Wash basins

waste size

DN 32

### Optional Accessories



**Strainer waste**

**2000100854**  
ZANMW901



**Dome waste valve**

**2000100861**  
ZANMW900



**Drain and overflow set**

**2000100932**  
ZANMW902



**Trap**

**2000057417**  
XINX140