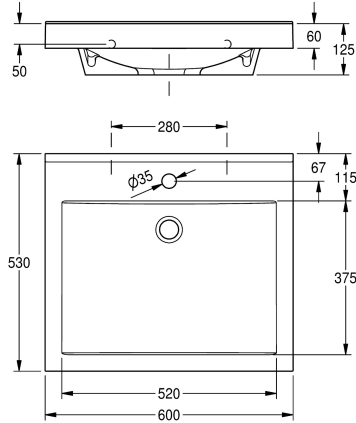


KWC QUADRO Single washbasin

Modell-Linie: **QUADRO | ANMW411**
Washbasins & Washtroughs | Wash basins



KWC-No.

2000090011

With 35 mm diameter tap hole

2000090010

Without tap hole

number of tap holes

1

QUADRO single washbasin made of MIRANIT resin-bonded mineral material, with smooth, pore-free surface (temperature-resistant up to 80 °C). Colour Alpine white. With seamless, rectangular bowl without overflow. Mounting on washbasin back panel. Rear contoured edge. Three-sided apron 60 mm (H). With

tap hole 35 mm (D). Mounting material included.

Dimensions 600 x 125 x 530 mm (W x H x D)
Bowl dimensions 520 x 40/90 x 375 mm (W x H x D)

Technical Data

bowl position
bowl - bowl height
bowl - depth
bowl shape
bowl - width
colour
material
material code
overall depth
overall height
overall width
overflow
rear upstand
siphon included
splash back
number of tap holes
tap hole diameter
tap hole position
tap ledge
type of mounting
waste hole position
waste hole projection
waste kit included

Center
90 mm
375 mm
rectangle
520 mm
alpinewhite
mineral material
Miranit
530 mm
125 mm
600 mm
no
yes
no
no
1
35 mm
middle
yes
wall mounting
centre back
185 mm
no



KWC QUADRO Single washbasin

Modell-Linie: QUADRO | ANMW411
Washbasins & Washtroughs | Wash basins

waste size

DN 32

Optional Accessories



Strainer waste

2000100854
ZANMW901



Dome waste valve

2000100861
ZANMW900



Drain and overflow set

2000100932
ZANMW902



Trap

2000057417
XINX140