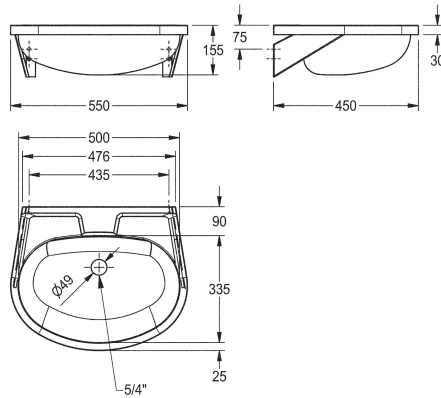


## KWC ANIMA Single washbasin

Modell-Linie: ANIMA | BS204  
Washbasins & Washtroughs | Wash basins



### KWC-No.

**2000090016**

Without tap hole

**2000103078**

Without overflow, with 35 mm diameter tap hole, centered, 1 1/4 flat perforated waste

**2000090017**

With overflow, without tap hole, 1 1/4 stopper valve

**2000103080**

With overflow, with 35 mm diameter tap hole, centered, 1 1/4 stopper valve

### overflow

no	
no	1
yes	
yes	1

Single wash basin for wall mounting, stainless steel, surface satin finished, material thickness 1 mm, seamless welded bowl with diameter 500 x 155 x 335 mm, oval shape, 90 mm tap ledge, prewelded mounting brackets, with soap dish, includes screws and

dowels.

Without overflow, 1 1/4" flat perforated waste  
Dimensions 550 x 155 x 450 mm (W x H x D)

### Technical Data

bowl position	Center
bowl - bowl height	155 mm
bowl finish	satin finished
bowl - depth	335 mm
bowl shape	oval
bowl - width	500 mm
colour	no colour
material	stainless steel
material code	1.4301 Chrome Nickel steel V2A
material thickness	1 mm
overall depth	450 mm
overall height	155 mm
overall width	550 mm
overflow	no
rear upstand	no
siphon included	no
splash back	no
surface finish	satin finished
tap ledge	yes
type of mounting	wall mounting

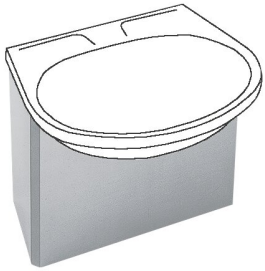


## KWC ANIMA Single washbasin

Modell-Linie: ANIMA | BS204  
Washbasins & Washtroughs | Wash basins

type of waste kit	flat perforated waste
waste hole position	centre back
waste hole projection	180 mm
waste kit included	yes
waste size	DN 32

### Optional Accessories



#### ANIMA trap cover

**2000058442**  
BS206