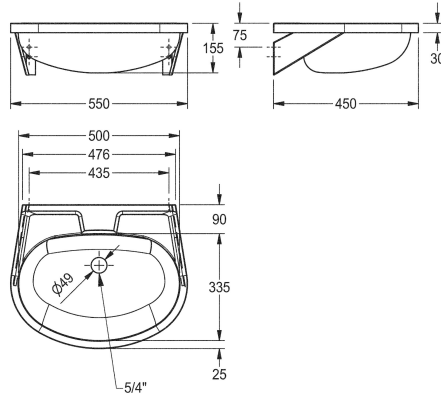


KWC ANIMA Single washbasin

Modell-Linie: ANIMA | BS204
Washbasins & Washtroughs | Wash basins



KWC-No.

2000090016

Without tap hole

2000103078

Without overflow, with 35 mm diameter tap hole, centered, 1 1/4 flat perforated waste

2000090017

With overflow, without tap hole, 1 1/4 stopper valve

2000103080

With overflow, with 35 mm diameter tap hole, centered, 1 1/4 stopper valve

overflow

no	
no	1
yes	
yes	1

Single wash basin for wall mounting, stainless steel, surface satin finished, material thickness 1 mm, seamless welded bowl with diameter 500 x 155 x 335 mm, oval shape, 90 mm tap ledge, prewelded mounting brackets, with soap dish, includes screws and

dowels.

Without overflow, 1 1/4" flat perforated waste
Dimensions 550 x 155 x 450 mm (W x H x D)

Technical Data

bowl position	center
bowl - bowl height	155 mm
bowl finish	satin finished
bowl - depth	335 mm
bowl shape	oval
bowl - width	500 mm
colour	No colour
material	stainless steel
material code	1.4301 Chrome Nickel steel V2A
material thickness	1 mm
overall depth	450 mm
overall height	155 mm
overall width	550 mm
overflow	no
rear upstand	no
siphon included	no
splash back	no
surface finish	satin finished
tap ledge	yes
type of mounting	wall mounting

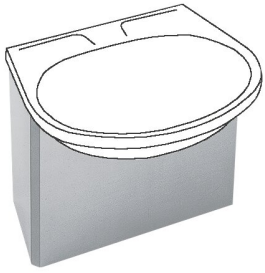


KWC ANIMA Single washbasin

Modell-Linie: ANIMA | BS204
Washbasins & Washtroughs | Wash basins

type of waste kit	flat perforated waste
waste hole position	centre back
waste hole projection	180 mm
waste kit included	yes
waste size	DN 32

Optional Accessories



ANIMA trap cover

2000058442
BS206

Spare Parts

Fixing set

2000103414
ECMPX023