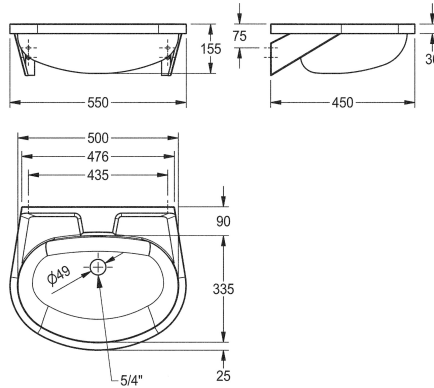


## KWC ANIMA Single washbasin

Modell-Linie: ANIMA | BS205  
Washbasins & Washtroughs | Wash basins



### KWC-No.

**2000090016**

Without tap hole

**2000103078**

Without overflow, with 35 mm diameter tap hole, centered, 1 1/4 flat perforated waste

**2000090017**

With overflow, without tap hole, 1 1/4 stopper valve

**2000103080**

With overflow, with 35 mm diameter tap hole, centered, 1 1/4 stopper valve

### overflow

no

no

1

yes

yes

1

Single wash basin for wall mounting, stainless steel, surface satin finished, material thickness 1 mm, seamless welded bowl with diameter 500 x 155 x 335 mm, oval shape, 90 mm tap ledge, prewelded mounting brackets, with soap dish, includes screws and

dowels.

With overflow, 1 1/4" plug waste  
Dimensions 550 x 155 x 450 mm (W x H x D)

### Technical Data

bowl position

center

bowl - bowl height

155 mm

bowl finish

satin finished

bowl - depth

335 mm

bowl shape

oval

bowl - width

500 mm

colour

No colour

material

stainless steel

material code

1.4301 Chrome Nickel steel V2A

material thickness

1 mm

overall depth

450 mm

overall height

155 mm

overall width

550 mm

overflow

yes

overflow position

back

rear upstand

no

siphon included

no

splash back

no

surface finish

satin finished

tap ledge

yes

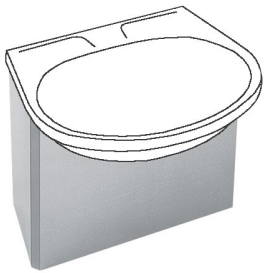
## KWC ANIMA Single washbasin

**Modell-Linie: ANIMA | BS205**  
Washbasins & Washtroughs | Wash basins

type of mounting	_____
type of waste kit	_____
waste hole position	_____
waste hole projection	_____
waste kit included	_____
waste size	_____

wall mounting	_____
plug waste	_____
centre back	_____
190 mm	_____
yes	_____
DN 32	_____

### Optional Accessories



#### **ANIMA trap cover**

**2000058442**  
BS206