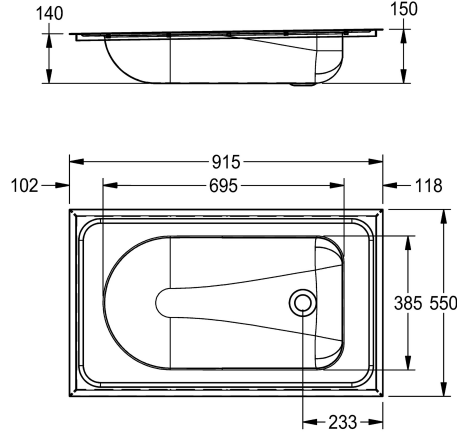


KWC CAMPUS

Baby bathtub

Modell-Linie: **CAMPUS | CMPX403**

Hospital equipment | Baby baths



KWC-No.

2000090029

Internal dimensions of basin 686 x 382 x 155 mm (W x H x D)

Baby bath tube for inset mounting, stainless steel, surface satin finished, material thickness 1.2 mm, 10 mm incline on whole length towards waste, waste diameter outside 78 mm inside 50 mm, no overflow, no waste kit included.

Dimensions 915 x 150 x 550 mm (W x H x D)
Bowl dimension 695 x 150 x 385 mm (W x H x D)

Technical Data

bowl - bowl height	150 mm
bowl - depth	385 mm
bowl - width	695 mm
material	stainless steel
material code	1.4301 Chrome Nickel steel V2A
material thickness	1.2 mm
overall depth	550 mm
overall height	150 mm
overall width	915 mm
overflow	no
surface finish	satin finished
type of mounting	inset mounting