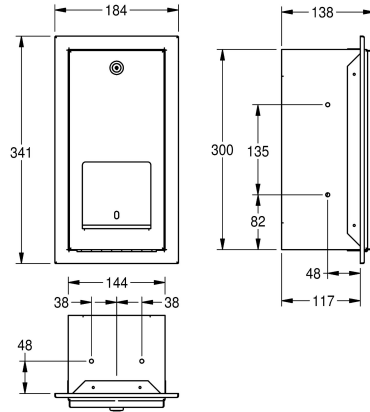


## KWC RODAN

Toilet roll holder for recessed mounting

Modell-Linie: RODAN | RODX672E

Accessories | WC-roll holders



### KWC-No.

**2000090073**

Dimensions 184 x 341 x 138 mm (W x H x D)

Double toilet roll holder with spindle system for recessed mounting, stainless steel, surface satin finished, material thickness 0.8 mm, folded front cover, cylinder lock with KWC standard key, for 2 rolls with max. diameter 120 mm, second roll will be released after

consumption of first roll, reserve roll not visible, includes stainless steel screws and dowels.

Dimensions 184 x 341 x 138 mm (W x H x D)

### Technical Data

maximum depth/diameter of cons

115 mm

maximum width of consumable

115 mm

filling quantity

2

filling quantity uom

rolls

lock

key-lock

material

stainless steel

material code

1.4301 Chrome Nickel steel V2A

material thickness

0.8 mm

overall depth

138 mm

overall height

341 mm

overall width

184 mm

spindle

yes

surface finish

satin finished

type of fixing

screw

type of mounting

recessed mounting