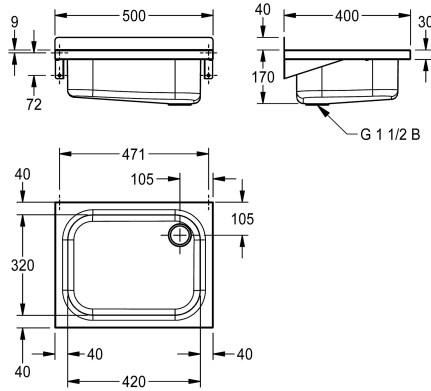


KWC SIRIUS

Utility sink

Modell-Linie: SIRIUS | BS303

Utility sinks | Cleaners sinks



KWC-No.

2000090080

Without folding grid

207.0000.057

With folding grid

Sink, for wall mounting, stainless steel, surface satin finished, material thickness 1,2 mm, seamless welded bowl, without overflow, with 1 1/2" plug waste with plastic overflow pipe, drainage back right, without tap ledge, with rear upstand 40 mm, without hinged grate, includes mounting material and mounting

brackets loose.

Dimension 500 x 210 x 400 mm (W x H x D)

Bowl dimension 420 x 170 x 320 (W x H x D)

Technical Data

splash back height	40 mm
bowl position	Center
bowl construction	radius corners
bowl - bowl height	175 mm
bowl finish	satin finished
bowl - depth	320 mm
bowl - width	420 mm
brushes	Without brushes
drainer or storage	no
grid	no
material	stainless steel
material code	1.4301 Chrome Nickel steel V2A
material thickness	1.2 mm
number of waste holes	1
outlet size	G 1 1/2 B
overall depth	400 mm
overall height	215 mm
overall width	500 mm
overflow	no
rear upstand	no
wash riffle	no
spillway	no
splash back	component of another part

KWC SIRIUS

Utility sink

Modell-Linie: SIRIUS | BS303

Utility sinks | Cleaners sinks

sump	no
sump basket	no
surface finish	satin finished
tap ledge	no
type of mounting	wall mounting
type of utility sink	multi purpose sink
type of waste kit	perforated waste
number of wash places	1
waste hole position	right back corner
waste hole projection	105 mm
waste kit included	yes
waste size	DN 40

Optional Accessories



SIRIUS rear wall

2000100939
BS304