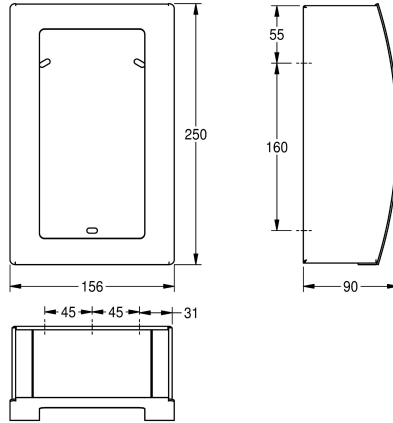


KWC STRATOS Hygiene bag dispenser

Modell-Linie: STRATOS | STRX615
Accessories | Hygiene bag dispensers



KWC-No.

2000100014

Dimensions 156 x 250 x 90 mm (W x H x D)

Hygiene bag dispenser for wall mounting, stainless steel, surface satin finished, with InoxPlus surface refinement for the reduction of finger marks and better cleaning characteristics (easy to clean), material thickness 1.2 / 1.5 mm, with inspection window, includes

stainless steel screws and dowels.

Dimensions 156 x 250 x 90 mm (W x H x D)

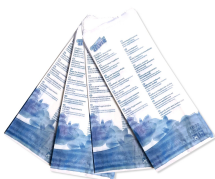
Technical Data

filling quantity	100
filling quantity uom	pieces
lock	no lock
material	stainless steel
material code	1.4301 Chrome Nickel steel V2A
material thickness	1.5 mm
overall depth	90 mm
overall height	250 mm
overall width	156 mm
surface finish	satin finished
surface treatment	InoxPlus (anti fingerprint)
type of consumable	hygiene bag
type of fixing	screw
type of mounting	wall mounting
type of operation	manual operation

filling quantity	100
filling quantity uom	pieces
lock	no lock
material	stainless steel
material code	1.4301 Chrome Nickel steel V2A
material thickness	1.5 mm
overall depth	90 mm
overall height	250 mm
overall width	156 mm
surface finish	satin finished
surface treatment	InoxPlus (anti fingerprint)
type of consumable	hygiene bag
type of fixing	screw
type of mounting	wall mounting
type of operation	manual operation

**INOX
PLUS**

Consumables





KWC STRATOS
Hygiene bag dispenser

Modell-Linie: STRATOS | STRX615
Accessories | Hygiene bag dispensers

Hygiene bag

2030058765
HB140P
