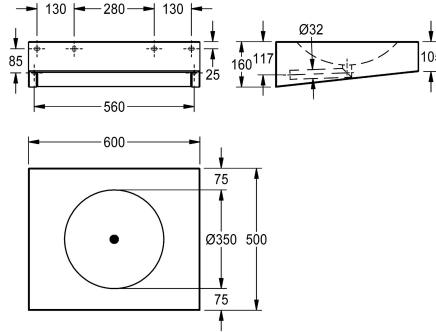


## KWC ANIMA Single washbasin

Modell-Linie: ANIMA | ANMX600  
Washbasins & Washtroughs | Wash basins



KWC-No.
<b>2000056724</b> Without tap hole
<b>2000056774</b> With 35 mm diameter tap hole, centered
<b>2000100022</b> Width 600 mm, without taphole
<b>2000100023</b> Width 600 mm, with 35 mm diameter tap hole, centered

overall width	
500 mm	
500 mm	1
600 mm	
600 mm	1

Wash basin for disabled for wall mounting, stainless steel, surface satin finished, material thickness 1.2 mm, seamless welded round bowl with diameter 350 mm, rectangular shape, 75 mm tap ledge, without overflow, seamless welded waste with 32 mm drain pipe, drainage centric, prewelded mouting brackets, for recessed trap

mounting - trap not included, mounting conform to EN 31, disabled accessible mounting possible, includes stainless steel screws and dowels.

Width 600 mm, without taphole

Technical Data
type of basin
bowl position
bowl - bowl height
bowl finish
bowl - depth
bowl shape
bowl - width
colour
material
material code
material thickness
overall depth
overall height
overall width
overflow
rear upstand
siphon diameter
siphon included
spillway
splash back

Wash basin
center
81 mm
satin finished
350 mm
circle
350 mm
No colour
stainless steel
1.4301 Chrome Nickel steel V2A
1.2 mm
500 mm
160 mm
600 mm
no
no
DN 32
no
no
no



## KWC ANIMA Single washbasin

**Modell-Linie: ANIMA | ANMX600**  
Washbasins & Washtroughs | Wash basins

surface finish	satin finished
tap ledge	yes
tap ledge position	opposing
type of mounting	wall mounting
type of waste kit	welded perforated waste (non r
waste hole position	centre
waste hole projection	250 mm
waste kit included	yes
waste size	DN 32
waste sleeve included	no