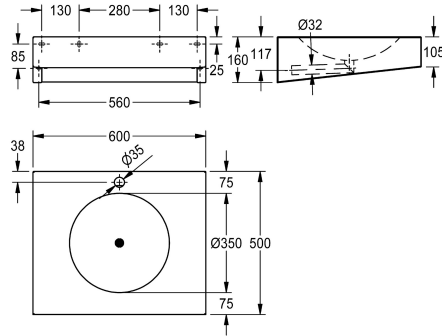


KWC ANIMA Washbasin

Modell-Linie: ANIMA | ANMX601
Washbasins & Washtroughs | Wash basins



KWC-No.

2000056724

Without tap hole

2000056774

With 35 mm diameter tap hole, centered

2000100022

Width 600 mm, without taphole

2000100023

Width 600 mm, with 35 mm diameter tap hole, centered

overall width

500 mm

500 mm

1

600 mm

600 mm

1

Wash basin for disabled for wall mounting, stainless steel, surface satin finished, material thickness 1.2 mm, seamless welded round bowl with diameter 350 mm, rectangular shape, 75 mm tap ledge, without overflow, seamless welded waste with 32 mm drain pipe, drainage centric, prewelded mouting brackets, for recessed trap

mounting - trap not included, mounting conform to EN 31, disabled accessible mounting possible, includes stainless steel screws and dowels.

Width 600 mm, with taphole, centered

Technical Data

type of basin

Wash basin

bowl position

Center

bowl - bowl height

81 mm

bowl finish

satin finished

bowl - depth

350 mm

bowl shape

circle

bowl - width

350 mm

colour

no colour

material

stainless steel

material code

1.4301 Chrome Nickel steel V2A

material thickness

1.2 mm

overall depth

500 mm

overall height

160 mm

overall width

600 mm

overflow

no

rear upstand

no

siphon diameter

DN 32

siphon included

no

spillway

no

splash back

no





KWC ANIMA Washbasin

Modell-Linie: ANIMA | ANMX601
Washbasins & Washtroughs | Wash basins

surface finish	satin finished
number of tap holes	1
tap hole diameter	35 mm
tap hole position	middle
tap ledge	yes
tap ledge position	opposing
type of mounting	wall mounting
type of waste kit	welded perforated waste (non r
waste hole position	centre
waste hole projection	250 mm
waste kit included	yes
waste size	DN 32
waste sleeve included	no