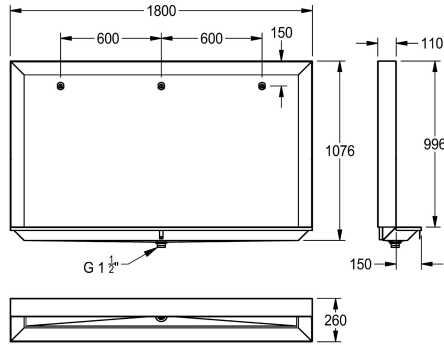
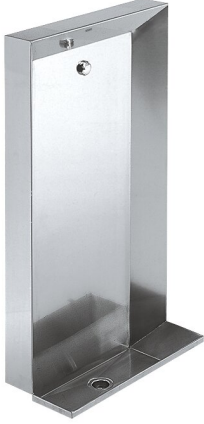


KWC CAMPUS

Urinal stand

Modell-Linie: **CAMPUS | BS552**

WCs and urinals | Trough urinal



KWC-No.

2000100030

Dimensions 600 x 1076 x 260 mm (W x H x D)

2000100031

Width 1200 mm

2000100032

Width 1800 mm

overall width

600 mm

1,200 mm

1,800 mm

Floor standing urinal, stainless steel, surface satin finished, material thickness 1.5 mm, back inlet button spreaders 1/2" at 600 mm spacings, 1 1/2" flat perforated waste.

Dimensions 1800 x 1076 x 260 mm (W x H x D)

Technical Data

inlet size

G 1/2 B

material

stainless steel

material code

1.4301 Chrome Nickel steel V2A

material thickness

1.5 mm

minimum flushing capacity

6 Liter

outlet size

G 1 1/2

overall depth

260 mm

overall height

1,076 mm

overall width

1,800 mm

siphon included

no

surface finish

satin finished

type of flushing

water flushed

type of mounting

wall and floor mounting

type of urinal

urinal stand

type of waste kit

flat perforated waste

water inlet

concealed

water outlet

concealed