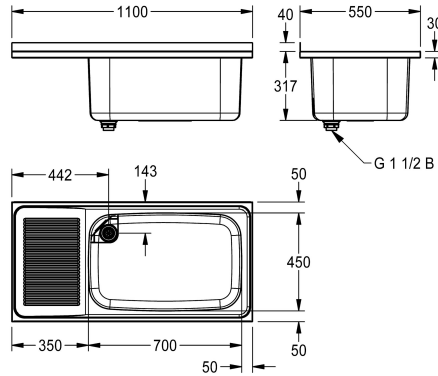


## KWC SIRIUS

### Utility sink

Modell-Linie: SIRIUS | BS351  
Utility sinks | Multi purpose sink



#### KWC-No.

**2000100062**  
Drip section left

**2000100063**  
Drip section right

**2000100064**  
Two bowls (centric), two drain boards, width 2200 mm

#### drainer position

left

right

left & right

General purpose sink for inset or wall mounting, stainless steel, surface satin finished, material thickness 1.2 mm, deep drawn seamless welded bowl, 1 1/2" waste with standpipe strainer, drain board with riffle, 40 mm rear upstand, wall mounting brackets optional.

One bowl, drainboard left, width 1100 mm  
Dimensions 1100 x 357 x 550 mm (W x H x D)  
Bowl Dimensions 700 x 300 x 450 mm (W x H x D)

#### Technical Data

splash back height	40 mm
bowl position	right
bowl construction	radius corners
bowl - bowl height	300 mm
bowl finish	satin finished
bowl - depth	450 mm
bowl - width	700 mm
brushes	Without brushes
drainer position	left
drainer or storage	drainer
grid	no
material	stainless steel
material code	1.4301 Chrome Nickel steel V2A
material thickness	1.2 mm
number of waste holes	1
outlet size	G 1 1/2 B
overall depth	550 mm
overall height	357 mm
overall width	1,100 mm
overflow	standpipe overflow
rear upstand	no
wash riffle	yes



## KWC SIRIUS

### Utility sink

**Modell-Linie: SIRIUS | BS351**

Utility sinks | Multi purpose sink

spillway	no
splash back	no
sump	no
sump basket	no
surface finish	satin finished
tap ledge	no
type of mounting	various types
type of utility sink	multi purpose sink
type of waste kit	standpipe strainer
number of wash places	1
waste hole position	left back corner
waste hole projection	144 mm
waste kit included	yes
waste size	DN 40