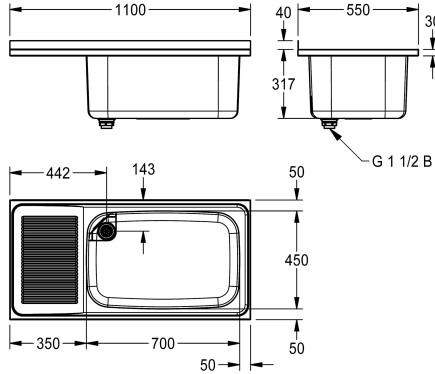


KWC SIRIUS

Utility sink

Modell-Linie: SIRIUS | BS351

Utility sinks | Multi purpose sink



KWC-No.

2000100062

Drip section left

2000100063

Drip section right

2000100064

Two bowls (centric), two drain boards, width 2200 mm

drainer position

left

right

left & right

General purpose sink for inset or wall mounting, stainless steel, surface satin finished, material thickness 1.2 mm, deep drawn seamless welded bowl, 1 1/2" waste with standpipe strainer, drain board with riffle, 40 mm rear upstand, wall mounting brackets optional.

One bowl, drainboard left, width 1100 mm
Dimensions 1100 x 357 x 550 mm (W x H x D)
Bowl Dimensions 700 x 300 x 450 mm (W x H x D)

Technical Data

splash back height

40 mm

bowl position

right

bowl construction

radius corners

bowl - bowl height

300 mm

bowl finish

satin finished

bowl - depth

450 mm

bowl - width

700 mm

brushes

Without brushes

drainer position

left

drainer or storage

drainer

grid

no

material

stainless steel

material code

1.4301 Chrome Nickel steel V2A

material thickness

1.2 mm

number of waste holes

1

outlet size

G 1 1/2 B

overall depth

550 mm

overall height

357 mm

overall width

1,100 mm

overflow

standpipe overflow

rear upstand

no

wash riffle

yes



KWC SIRIUS

Utility sink

Modell-Linie: SIRIUS | BS351

Utility sinks | Multi purpose sink

spillway	no
splash back	no
sump	no
sump basket	no
surface finish	satın finished
tap ledge	no
type of mounting	various types
type of utility sink	multi purpose sink
type of waste kit	standpipe strainer
number of wash places	1
waste hole position	left back corner
waste hole projection	144 mm
waste kit included	yes
waste size	DN 40