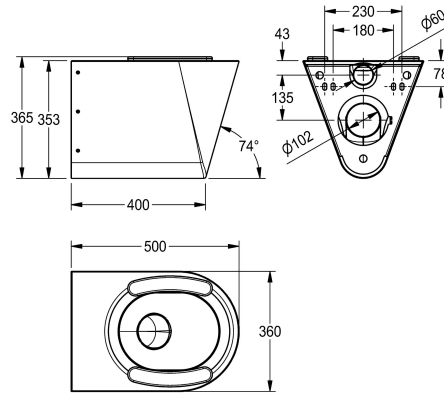
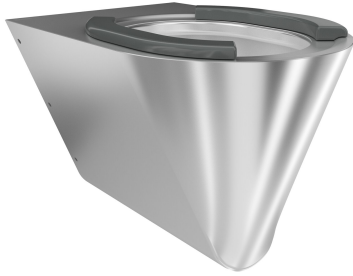


## KWC CAMPUS Wall hung WC pan

Modell-Linie: **CAMPUS | CMPX592S**  
WCs and urinals | WCs



### KWC-No.

**2000100133**

Without toilet seat

**2000100134**

With 2 toilet seat pads

**3600000629**

With black toilet seat

**3600000650**

With grey toilet seat

**3600000651**

With white toilet seat

### type of toilet seat

no seat

synthetic seat pad

synthetic hinged seat with lid

synthetic hinged seat with lid

synthetic hinged seat with lid

Wall hung WC pan, stainless steel, surface satin finished, material thickness 1.5 mm, flushing certificated to EN 997, concealed flushing rim with min. 4 liter flushing capacity, with a shrouded 100 mm diameter horizontal 'P' trap outlet, pressed seat area tapered towards centre, all edges curved, fixing with mounting plate

supplied, conform to EN 33, includes security screws. 4 litre flush EN997 approved.

With seat pads

Dimensions 360 x 365 x 500 mm (W x H x D)

### Technical Data

inlet size	DN 55
material	stainless steel
material code	1.4301 Chrome Nickel steel V2A
material thickness	1.5 mm
minimum flushing capacity	4 Liter
outlet size	DN 100
overall depth	500 mm
overall height	365 mm
overall width	360 mm
toilet seat colour	grey
surface finish	satin finished
type of mounting	wall mounting
type of toilet seat	synthetic seat pad
type of WC	wall hung

DN 55
stainless steel
1.4301 Chrome Nickel steel V2A
1.5 mm
4 Liter
DN 100
500 mm
365 mm
360 mm
grey
satin finished
wall mounting
synthetic seat pad
wall hung