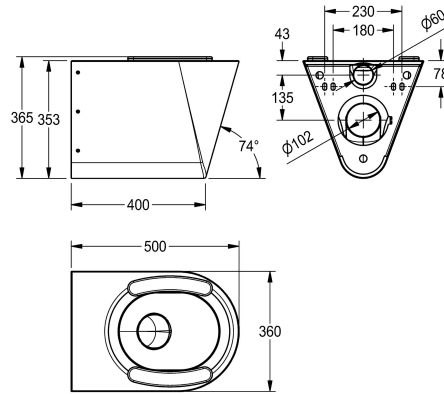
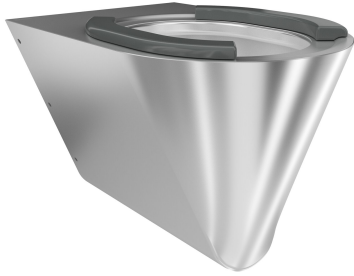


KWC CAMPUS Wall hung WC pan

Modell-Linie: **CAMPUS | CMPX592S**
WCs and urinals | WCs



KWC-No.

2000100133

Without toilet seat

2000100134

With 2 toilet seat pads

3600000629

With black toilet seat

3600000650

With grey toilet seat

3600000651

With white toilet seat

type of toilet seat

no seat

synthetic seat pad

synthetic hinged seat with lid

synthetic hinged seat with lid

synthetic hinged seat with lid

Wall hung WC pan, stainless steel, surface satin finished, material thickness 1.5 mm, flushing certificated to EN 997, concealed flushing rim with min. 4 liter flushing capacity, with a shrouded 100 mm diameter horizontal 'P' trap outlet, pressed seat area tapered towards centre, all edges curved, fixing with mounting plate

supplied, conform to EN 33, includes security screws. 4 litre flush EN997 approved.

With seat pads

Dimensions 360 x 365 x 500 mm (W x H x D)

Technical Data

inlet size

DN 55

material

stainless steel

material code

1.4301 Chrome Nickel steel V2A

material thickness

1.5 mm

minimum flushing capacity

4 Liter

outlet size

DN 100

overall depth

500 mm

overall height

365 mm

overall width

360 mm

toilet seat colour

grey

surface finish

satin finished

type of mounting

wall mounting

type of toilet seat

synthetic seat pad

type of WC

wall hung

Spare Parts



KWC CAMPUS
Wall hung WC pan

Modell-Linie: CAMPUS | CMPX592S
WCs and urinals | WCs



205.0000.125
ECMPX016
