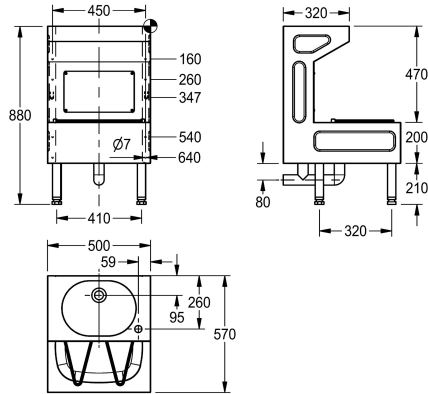


KWC

Floor standing janitorial unit

Modell-Linie: SIRIUS | G20050N
Utility sinks | Cleaners sinks



KWC-No.

2000100145

Floor standing janitorial unit manufactured from grade 1.4301 (304) stainless steel, 1.2 mm material thickness throughout except for lower bowl thick is 0.9 mm. Supplied complete with monobloc mixer, 32 mm flush grated waste (for top wash bowl) and 38 mm

domed waste outlet (for lower bowl). The janitorial unit can be fixed with 4 legs for floor standing or part wall hung/floor standing by using only two of the front legs or alternatively can be fitted as a wall hung unit by using the joggle strip provided.

Technical Data

bowl - bowl height	180 mm
bowl - depth	360 mm
bowl - width	420 mm
grid	fixed
grid material	stainless steel
material	stainless steel
material code	1.4301 Chrome Nickel steel V2A
material thickness	1.2 mm
overall depth	570 mm
overall height	880 mm
overall width	500 mm
rear upstand	no
splash back	no
surface finish	satin finished
tap ledge	yes
type of mounting	wall mounting
waste hole position	centre back
waste size	DN 40