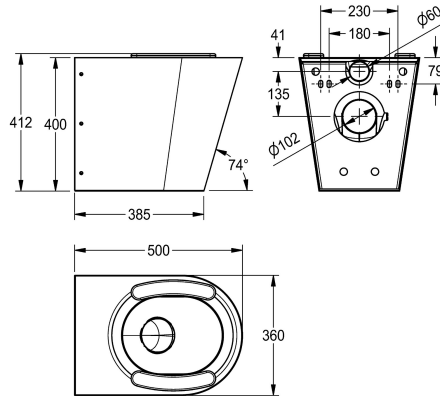


KWC CAMPUS Floor standing WC pan

Modell-Linie: **CAMPUS | CMPX597S**
WCs and urinals | WCs



KWC-No.

2000100153

Version for installation from the front, with mounting plate and anti-theft screw fixings

2000100154

With 2 toilet seat pads

3600000655

With black toilet seat

3600000656

With grey toilet seat

3600000657

With white toilet seat

type of toilet seat

No seat

synthetic seat pad

synthetic hinged seat with lid

synthetic hinged seat with lid

synthetic hinged seat with lid

Wall hung WC pan with shroud to the floor, stainless steel, surface satin finished, material thickness 1.5 mm, flushing certificated to EN 997, concealed flushing rim with min. 4 litre flushing capacity, with shrouded 100 mm diameter horizontal 'P' trap outlet, pressed seat area tapered towards centre, all edges curved, fixing with included

mounting plate conform to EN 33, includes safety screws. 4 litre flush EN997 approved.

With seat pads
Dimensions 360 x 412 x 500 mm (W x H x D)

Technical Data

| |
|---------------------------|
| inlet size |
| material |
| material code |
| material thickness |
| minimum flushing capacity |
| outlet size |
| overall depth |
| overall height |
| overall width |
| toilet seat colour |
| surface finish |
| type of mounting |
| type of toilet seat |
| type of WC |

| |
|--------------------------------|
| DN 55 |
| stainless steel |
| 1.4301 Chrome Nickel steel V2A |
| 1.5 mm |
| 4 Liter |
| DN 100 |
| 500 mm |
| 412 mm |
| 360 mm |
| grey |
| satin finished |
| wall mounting |
| synthetic seat pad |
| wall hung |