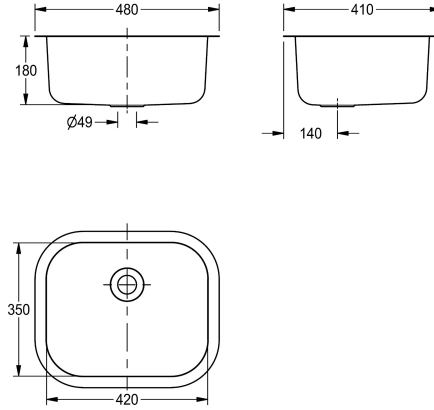


KWC SIRIUS Small inset sink bowl

Modell-Linie: SIRIUS | C20137N
Washbasins & Washtroughs | Wash basins



KWC-No.

2000100324

Basin to be installed from above, dimensions 480 x 180 x 410 mm (W x H D)

Small rimmed edged bowl for inseting into worktops. Manufactured from 0.9 mm thick grade 1.4301 (304) stainless steel with a satin polish finish. The bowl has a 17 mm rimmed edge and is prepared for a 38 mm waste and overflow. There are no tap holes therefore taps are to be mounted through the worktop or on the wall. Fixing clips are supplied with each bowl. Waste, plug, chain and overflow are available extras.

NOTE: It may be necessary to notch the worktop when fitting an overflow.

17 mm rimmed edge
Centre waste
Dimensions 420 x 350 x 180 mm (W x H x D)
Cut-out size 400 x 500 mm

Technical Data

bowl - bowl height	180 mm
bowl finish	satin finished
bowl - depth	420 mm
bowl shape	rounded rectangle
bowl - width	350 mm
material	stainless steel
material code	1.4301 Chrome Nickel steel V2A
material thickness	0.9 mm
overall depth	410 mm
overall height	180 mm
overall width	420 mm
overflow	yes
rear upstand	no
splash back	no
surface finish	satin finished
tap ledge	no
type of mounting	inset mounting
waste hole position	right back corner
waste kit included	yes
waste size	DN 40