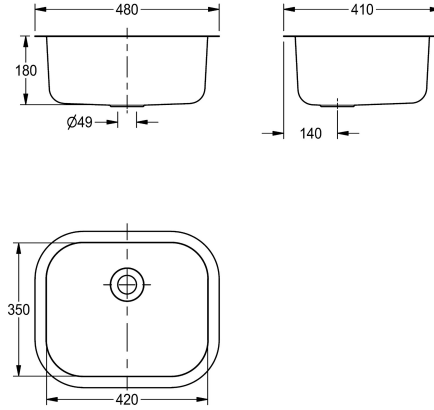


KWC SIRIUS Small inset sink bowl

Modell-Linie: SIRIUS | C20137N
Washbasins & Washtroughs | Wash basins



KWC-No.

2000100324

Basin to be installed from above, dimensions 480 x 180 x 410 mm (W x H D)

Small rimmed edged bowl for inseting into worktops. Manufactured from 0.9 mm thick grade 1.4301 (304) stainless steel with a satin polish finish. The bowl has a 17 mm rimmed edge and is prepared for a 38 mm waste and overflow. There are no tap holes therefore taps are to be mounted through the worktop or on the wall. Fixing clips are supplied with each bowl. Waste, plug, chain and overflow are available extras.

NOTE: It may be necessary to notch the worktop when fitting an overflow.

17 mm rimmed edge
Centre waste
Dimensions 420 x 350 x 180 mm (W x H x D)
Cut-out size 400 x 500 mm

Technical Data

| | |
|---------------------|--------------------------------|
| bowl - bowl height | 180 mm |
| bowl finish | satin finished |
| bowl - depth | 420 mm |
| bowl shape | rounded rectangle |
| bowl - width | 350 mm |
| material | stainless steel |
| material code | 1.4301 Chrome Nickel steel V2A |
| material thickness | 0.9 mm |
| overall depth | 410 mm |
| overall height | 180 mm |
| overall width | 420 mm |
| overflow | yes |
| rear upstand | no |
| splash back | no |
| surface finish | satin finished |
| tap ledge | no |
| type of mounting | inset mounting |
| waste hole position | right back corner |
| waste kit included | yes |
| waste size | DN 40 |