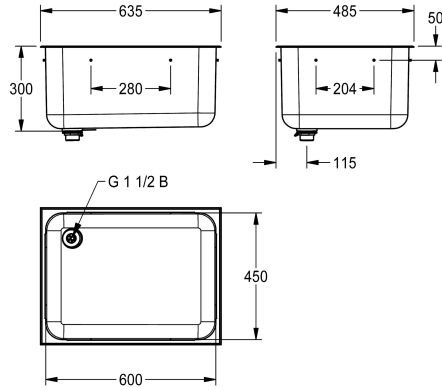


## KWC SIRIUS

Basin to be installed from above with rear-left waste

**Modell-Linie: SIRIUS | C20136L**

Washbasins & Washtroughs | Wash basins



### KWC-No.

**2000100327**

Basin to be installed from above, rear-right waste

**2000100326**

Basin to be installed from above, rear-left waste, dimensions 635 x 300 x 485 mm (W x H x D)

### waste hole position

right back corner

left back corner

Large rimmed edge bowls for inseting into worktops. Manufactured from 1.2 mm thick austenitic grade stainless steel with satin polish finish. An earthing lug is fitted to the underside of the bowl. Supplied with an 38 mm waste outlet and standpipe strainer overflow. Fixing studs, brackets and full fitting instructions are supplied. (L or R after the code number refers to the handing of the waste

outlet i.e.. back left or back right hand corner.)

Overall inset sink bowl - rimmed edge

Left hand waste

Dimensions 635 x 300 x 485 mm (W x H x D)

Bowl Dimensions 600 x 300 x 450 mm (W x H x D)

### Technical Data

bowl - bowl height

300 mm

bowl finish

satin finished

bowl - depth

450 mm

bowl shape

rectangle

bowl - width

600 mm

material

stainless steel

material code

1.4301 Chrome Nickel steel V2A

material thickness

1.2 mm

overall depth

485 mm

overall height

300 mm

overall width

635 mm

overflow

yes

rear upstand

no

splash back

no

surface finish

satin finished

tap ledge

no

type of mounting

inset mounting

waste hole position

left back corner

waste hole projection

90 mm

waste kit included

yes

waste size

DN 40