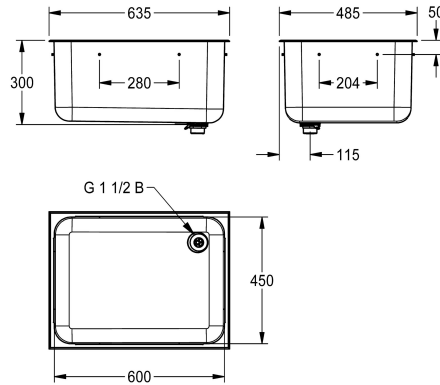


## KWC SIRIUS

Basin to be installed from above, rear-right waste

Modell-Linie: SIRIUS | C20136R

Tvättställ | Tvättställ



### KWC-No.

**2000100327**

Basin to be installed from above, rear-right waste

**2000100326**

Basin to be installed from above, rear-left waste, dimensions 635 x 300 x 485 mm (W x H x D)

### Avfalls håls placering

Höger bakre hörn

Vänster bakre hörnet

Large rimmed edge bowls for inseting into worktops. Manufactured from 1.2 mm thick austenitic grade stainless steel with satin polish finish. An earthing lug is fitted to the underside of the bowl. Supplied with an 38 mm waste outlet and standpipe strainer overflow. Fixing studs, brackets and full fitting instructions are supplied. (L or R after the code number refers to the handing of the waste

outlet i.e.. back left or back right hand corner.)

Overall inset sink bowl - rimmed edge  
Right hand waste  
Dimensions 635 x 300 x 485 mm (W x H x D)  
Bowl Dimensions 600 x 300 x 450 mm (W x H x D)

### Technical Data

Skål.- skål djup	300 mm
Skål finish	Satin yta
Skål - djup	450 mm
Skål form	Rektangel
Skål - vidd	600 mm
Material	Rostfritt stål
Materialkod	1.4301
Material tjocklek	1.2 mm
Övergripande djup	485 mm
Total höjd	300 mm
Total bredd	635 mm
Bräddavlopp	Ja
Bakre stående	Nej
Utslagsback	Nej
Ytfinish	Satin yta
Kran hylla	Nej
Typ av montering	Inbyggd montering
Avfalls håls placering	Höger bakre hörn
Avfalls håls beräkning	90 mm
avfallsbehållare ingår	Ja
Avfalls storlek	DN 40

300 mm
Satin yta
450 mm
Rektangel
600 mm
Rostfritt stål
1.4301
1.2 mm
485 mm
300 mm
635 mm
Ja
Nej
Nej
Satin yta
Nej
Inbyggd montering
Höger bakre hörn
90 mm
Ja
DN 40