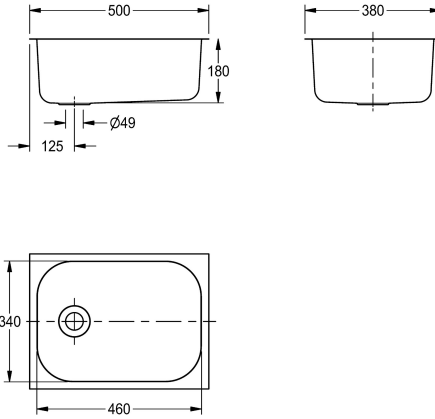


## KWC SIRIUS

Basin to be installed from above, centre waste

Modell-Linie: SIRIUS | C20174N

Washbasins & Washtroughs | Wash basins



### KWC-No.

#### 2000100330

Basin to be installed from above, centre waste Dimensions 500 x 180 x 380 mm (W x H x D)

#### 2000100331

Basin to be installed from above, centre waste Dimensions 500 x 250 x 380 mm (W x H x D)

### overall height

180 mm

250 mm

Small rimmed edged bowl for inseting into worktops. Manufactured from 0.9 mm thick grade 1.4301 (304) stainless steel with a satin polish finish. The bowl has a 20 mm rimmed edge and is prepared for a 38 mm waste and overflow. There are no tap holes therefore taps are to be mounted through the worktop or on the wall. Fixing clips are supplied with each bowl. Waste, plug, chain and overflow are available extras. NOTE: It may be necessary to notch the

worktop when fitting an overflow.

20 mm rimmed edge

Centre waste

Dimensions 460 x 340 x 180 mm (W x H x D)

Cut-out size 470 x 350 mm

### Technical Data

bowl - bowl height

180 mm

bowl finish

satin finished

bowl - depth

460 mm

bowl shape

rounded rectangle

bowl - width

340 mm

material

stainless steel

material code

1.4301 Chrome Nickel steel V2A

material thickness

0.9 mm

overall depth

380 mm

overall height

180 mm

overall width

500 mm

overflow

yes

rear upstand

no

splash back

no

surface finish

satin finished

tap ledge

no

type of mounting

inset mounting

waste hole position

centre back

waste kit included

no

waste size

DN 40