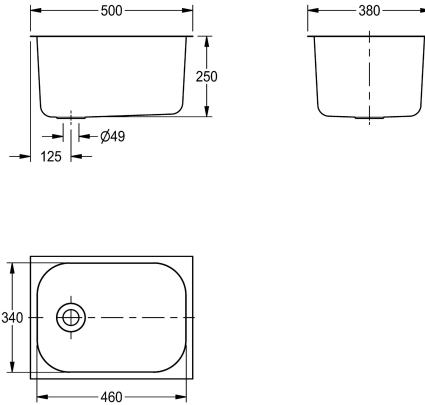


KWC SIRIUS

Basin to be installed from above

Modell-Linie: SIRIUS | C20175N

Tvättställ | Tvättställ



KWC-No.

2000100331

Basin to be installed from above, centre waste Dimensions 500 x 250 x 380 mm (W x H x D)

Total höjd

250 mm

Small rimmed edged bowl for inseting into worktops. Manufactured from 0.9 mm thick grade 1.4301 (304) stainless steel with a satin polish finish. The bowl has a 20 mm rimmed edge and is prepared for a 38 mm waste and overflow. There are no tap holes therefore taps are to be mounted through the worktop or on the wall. Fixing clips are supplied with each bowl. Waste, plug, chain and overflow are available extras. NOTE: It may be necessary to notch the

worktop when fitting an overflow.

20 mm rimmed edge
Centre waste
Dimensions 460 x 340 x 250 mm (W x H x D)
Cut-out size 470 x 350 mm

Technical Data

Skål - skål djup
Skål finish
Skål - djup
Skål form
Skål - vidd
Material
Materialkod
Material tjocklek
Övergripande djup
Total höjd
Total bredd
Bräddavlopp
Bakre stående
Utslagsback
Ytfinish
Kran hylla
Typ av montering
Avfalls håls placering
avfallsbehållare ingår
Avfalls storlek

250 mm
Satin yta
460 mm
Rundad rektangel
340 mm
Rostfritt stål
1.4301
1 mm
380 mm
250 mm
500 mm
Ja
Nej
Nej
Satin yta
Nej
Inbyggd montering
Bakre mitten
Nej
DN 40