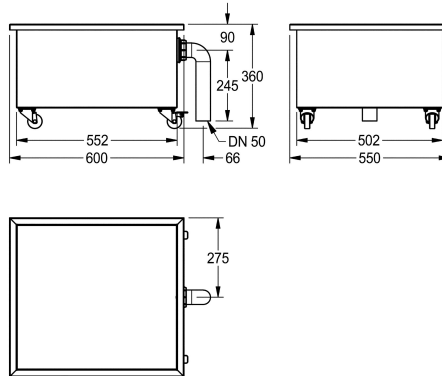


KWC SIRIUS Sludge trap sink

Modell-Linie: SIRIUS | SIRX757
Utility sinks | Multi purpose sink



KWC-No.

2000100363

Dimensions 600 x 360 x 550 mm (W x H x D)

Sludge trap sink, stainless steel, surface satin finished, material thickness 1.2 mm, on rollers with break device.

With 2" waste and connected PVC pipe as overflow.
Dimensions 600 x 360 x 550 mm (W x H x D)

Technical Data

bowl position
bowl construction
bowl - bowl height
bowl finish
bowl - depth
bowl - width
drainer or storage
grid
material
material code
material thickness
number of waste holes
outlet size
overall depth
overall height
overall width
overflow
rear upstand
wash raffle
splash back
surface finish
tap ledge
type of mounting
type of utility sink
waste kit included
waste size

Center
square corner
270 mm
satin finished
502 mm
552 mm
no
no
stainless steel
1.4301 Chrome Nickel steel V2A
1.2 mm
1
DN 50
550 mm
360 mm
600 mm
yes
no
no
no
satin finished
no
no mounting
cleaner sink
yes
DN 50