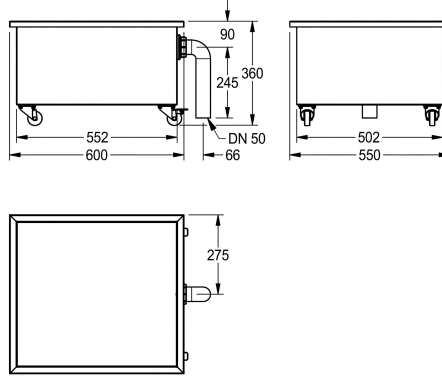


## KWC SIRIUS Sludge trap sink

Modell-Linie: SIRIUS | SIRX757  
Utility sinks | Multi purpose sink



### KWC-No.

**2000100363**

Dimensions 600 x 360 x 550 mm (W x H x D)

Sludge trap sink, stainless steel, surface satin finished, material thickness 1.2 mm, on rollers with break device.

With 2" waste and connected PVC pipe as overflow.  
Dimensions 600 x 360 x 550 mm (W x H x D)

### Technical Data

bowl position	center
bowl construction	square corner
bowl - bowl height	270 mm
bowl finish	satin finished
bowl - depth	502 mm
bowl - width	552 mm
drainer or storage	no
grid	no
material	stainless steel
material code	1.4301 Chrome Nickel steel V2A
material thickness	1.2 mm
number of waste holes	1
outlet size	DN 50
overall depth	550 mm
overall height	360 mm
overall width	600 mm
overflow	yes
rear upstand	no
wash riffle	no
splash back	no
surface finish	satin finished
tap ledge	no
type of mounting	no mounting
type of utility sink	cleaner sink
waste kit included	yes
waste size	DN 50