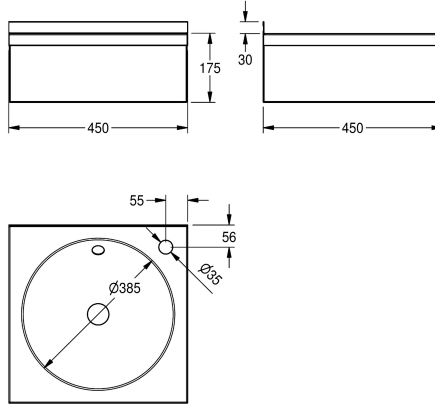


## KWC ANIMA Single washbasin

Modell-Linie: ANIMA | WT450  
Washbasins & Washtroughs | Wash basins



### KWC-No.

**2000100365**

Dimensions 450 x 175 x 450 mm (W x H x D)

Single wash basin, stainless steel, material thickness 0.9 mm, surface satin finished, circular bowl with diameter 380 mm, rear upstand, single tap hole, 32 mm waste/overflow fitting, includes screws and dowels.

### Tap hole right

Dimensions 450 x 175 x 450 mm (W x H x D)

### Technical Data

splash back height

30 mm

type of basin

Wash basin

bowl position

center

bowl - bowl height

145 mm

bowl finish

satin finished

bowl - depth

385 mm

bowl shape

circle

bowl - width

385 mm

colour

No colour

material

stainless steel

material code

1.4301 Chrome Nickel steel V2A

material thickness

0.9 mm

overall depth

450 mm

overall height

175 mm

overall width

450 mm

overflow

yes

overflow position

back

rear upstand

no

siphon diameter

DN 32

siphon included

no

spillway

yes

splash back

component of another part

surface finish

satin finished

number of tap holes

1

tap hole diameter

35 mm

tap hole position

right



## KWC ANIMA Single washbasin

Modell-Linie: ANIMA | WT450  
Washbasins & Washtroughs | Wash basins

tap ledge	no
type of mounting	wall mounting
type of waste kit	plug waste
waste hole position	centre
waste hole projection	225 mm
waste kit included	yes
waste size	DN 32
waste sleeve included	no

### Optional Accessories



#### ANIMA splash back

**2000100338**  
SB450

### Spare Parts



#### Waste kit

**2000103407**  
EANMX002



#### Overflow set

**2000103422**  
EANMX010

#### Fixing set

**2000103414**  
ECMPX023