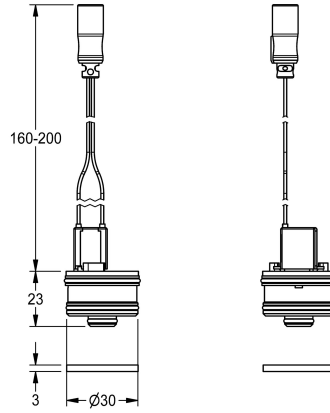


KWC

Bypass solenoid valve cartridge

Modell-Linie: SPARE-PARTS-GENER. | ZAQUA015

Water management systems | Complementary parts water management



KWC-No.

2000100431

Bypass solenoid valve cartridge

Bypass solenoid valve cartridge with waterproof plug and grit filter as a retrofitting/spare parts set for AQUALINE-Therm and AQUATIMER - A3000

open fittings with thermostatic mixer and function block, for performing thermal disinfections. Operating voltage 24 V DC.