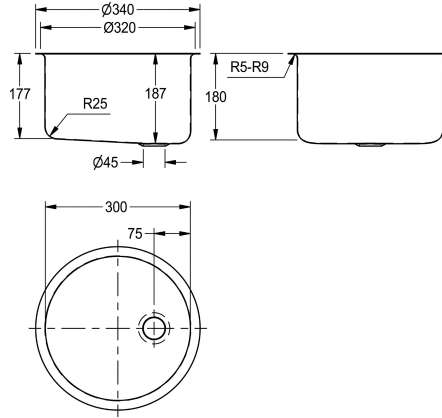


KWC RONDO Round washbasin

Modell-Linie: **RONDO | BR3000U**
Washbasins & Washtroughs | Wash basins



KWC-No.

2000100793

Dimensions 340 x 187 mm (W x H)

Round inset basin, can be mounted from top or underneath, stainless steel, surface high polished, material thickness 1 mm, bowl diameter 300 mm, without overflow, inclusive 5/4" flat perforated waste, stainless steel lugs for underneath mounting are

included.

Dimensions 340 x 187 mm (W x H)
Bowl Dimensions 300 x 180 mm (W x H)

Technical Data

bowl position
bowl - bowl height
bowl finish
bowl - depth
bowl shape
bowl - width
colour
material
material code
material thickness
overall depth
overall height
overall width
overflow
rear upstand
siphon included
splash back
surface finish
tap ledge
type of mounting
type of waste kit
waste hole position
waste hole projection
waste kit included
waste size

Center
185 mm
high polished
300 mm
circle
300 mm
no colour
stainless steel
1.4301 Chrome Nickel steel V2A
1 mm
340 mm
187 mm
340 mm
no
no
no
no
high polished
no
inset mounting
flat perforated waste
centre back
75 mm
yes
DN 32