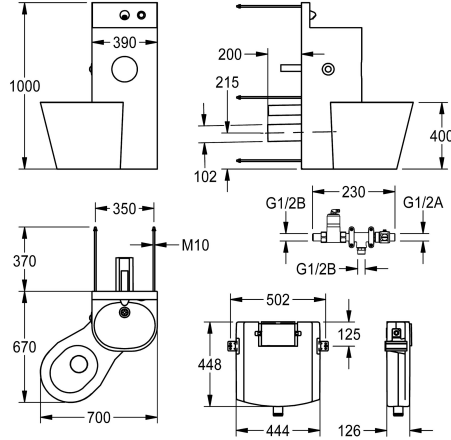


KWC HEAVY-DUTY WC washbasin combination

Modell-Linie: HEAVYDUTY | HDTX805L
Heavy Duty | Prison units



KWC-No.

2000100953

Version with WC pan angled 45° to the left

2000100954

Version with centrally arranged WC pan Dimensions 390 x 1000 x 780 mm (W x H x D)

2000100955

Version with WC pan angled 45° to the right Dimensions 700 x 1000 x 670 mm (W x H x D)

WC position

left

middle

right

Chromium nickel steel WC wash basin combination, satin finish surface for installing outside a utility room accessible from the back with remotely controlled tap components for fitting in the utility room, fixing from the back with threaded pins. Mounting stand, material thickness 2 mm with elevated rear wall including wall outlet and press button operation, seamless welded WC paper compartment and seamless moulded wash basin with trap, outlet DN 40. WC pan, material thickness 1.6 mm with full-length skirting, arranged on the left 45 degrees, bowl rim where nothing can hide, flushing

certified pursuant to EN 997, horizontal outlet at the back DN 100. Self-closing gate valve with remote control to connect to premixed hot water or cold water, closing automatically with no blow back. Condensation water-proof concealed cistern with single flush technology (9 or 6 litres) Including fixing material.

Overall dimensions 700 x 1000 x 670 mm (W x H x D)
WC position on the left

Technical Data

body width	390 mm
front access panel	yes
floor fixing joggle plate	no
inlet size	DN 15
material	stainless steel
material code	1.4301 Chrome Nickel steel V2A
material thickness body	2 mm
material thickness WC	1.5 mm
outlet size	DN 50 / DN 100
overall depth	669 mm
overall height	1,000 mm
overall width	699 mm
overflow	no
pipework material	stainless steel
self closing push buttons	mechanical
toilet roll holder diameter	153 mm
shroud design	round shape
soap dish	no
spout length	83 mm



KWC HEAVY-DUTY WC washbasin combination

Modell-Linie: HEAVYDUTY | HDTX805L
Heavy Duty | Prison units

surface finish	satin finished
tap with integrated bubbler	no
type of flushing fitting	WC cistern
type of mounting	bolt mounting
type of toilet seat	no seat
type of WC	floor standing
upper edge of basin height	850 mm
upstand depth	20 mm
upstand height	150 mm
WC height	400 mm
WC position	left

Spare Parts



Wall outlet, DN 15

2000107291
ZTAPS0004



Functional element

2000105612
EFLSY0036