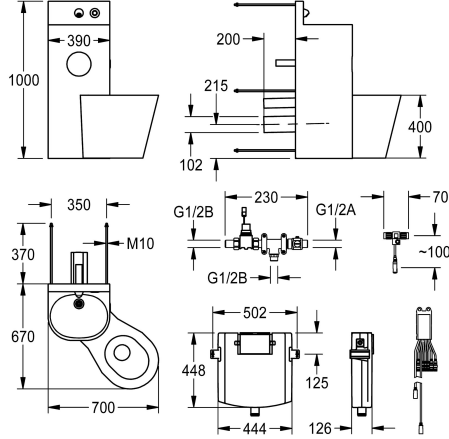


## KWC HEAVY-DUTY WC washbasin combination

Modell-Linie: HEAVYDUTY | HDTX806R  
Heavy Duty | Prison units



### KWC-No.

#### 2000100956

Version with WC pan angled 45° to the left

#### 2000100957

Version with centrally arranged WC pan Dimensions 390 x 1000 x 780 mm (W x H x D)

#### 2000100958

Version with WC pan angled 45° to the right Dimensions 700 x 1000 x 670 mm (W x H x D)

### WC position

left

middle

right

Chromium nickel steel WC wash basin combination, satin finish surface for installing outside a utility room accessible from the back with remotely controlled tap components for fitting in the utility room, fixing from the back with threaded pins. Mounting stand, material thickness 2 mm with elevated rear wall including wall outlet and piezo button with start/stop function with seamless welded WC paper compartment and seamless moulded wash basin with trap, outlet DN 40. WC pan, material thickness 1.6 mm with full-length skirting, arranged on the right 45 degrees, bowl rim where nothing

can hide with piezo button for WC flushing, flushing certified pursuant to EN 997, horizontal outlet at the back DN 100. With solenoid to connect to premixed hot water or cold water. Condensation water-proof concealed cistern with single flush technology (9 or 6 litres) Supply voltage 24 V DC Including fixing material.

Overall dimensions 700 x 1000 x 670 mm (W x H x D)

### Technical Data

body width

390 mm

front access panel

yes

floor fixing joggle plate

no

inlet size

DN 15

material

stainless steel

material code

1.4301 Chrome Nickel steel V2A

material thickness body

2 mm

material thickness WC

1.5 mm

outlet size

DN 50 / DN 100

overall depth

669 mm

overall height

1,000 mm

overall width

699 mm

overflow

no

pipework material

stainless steel

self closing push buttons

electronical

toilet roll holder diameter

153 mm

shroud design

round shape

soap dish

no

spout length

83 mm



## KWC HEAVY-DUTY WC washbasin combination

Modell-Linie: HEAVYDUTY | HDTX806R  
Heavy Duty | Prison units

surface finish	satin finished
tap with integrated bubbler	no
type of flushing fitting	WC flush valve
type of mounting	bolt mounting
type of toilet seat	no seat
type of WC	floor standing
upper edge of basin height	850 mm
upstand depth	20 mm
upstand height	150 mm
WC height	400 mm
WC position	right

### Mandatory Accessories



ECC2 function controller

**2000108123**  
ZA30P0011



ECC2 function controller

**2030016282**  
ZA30P0022



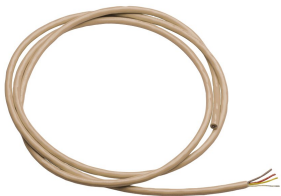
Power supply unit

**2000100375**  
ZAQUA007



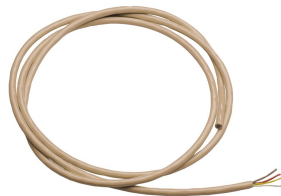
Power supply unit

**2000102691**  
ZAQUA094



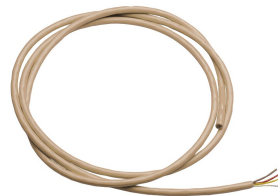
System cable

**2000100801**  
ZAQUA077



System cable

**2000100852**  
ZAQUA078



System cable

**2000104272**  
ZAQUA011



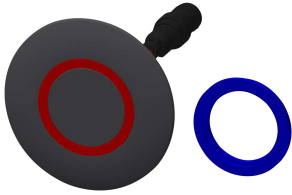
System cable

**2000104274**  
ZAQUA012

### Spare Parts

## KWC HEAVY-DUTY WC washbasin combination

Modell-Linie: HEAVYDUTY | HDTX806R  
Heavy Duty | Prison units



**Piezo Switch**

**2000104441**  
EAT300001



**Wall outlet, DN 15**

**2000107291**  
ZTAPS0004



**Electrical T junction**

**2000100853**  
ZAQUA075



**Solenoid valve**

**2000101328**  
ZAQUA032



**Stainless steel care set**

**2000109019**  
ZWSPL0024



**Cleaning product CHROMOL**

**2000105091**  
ZWSPL0023