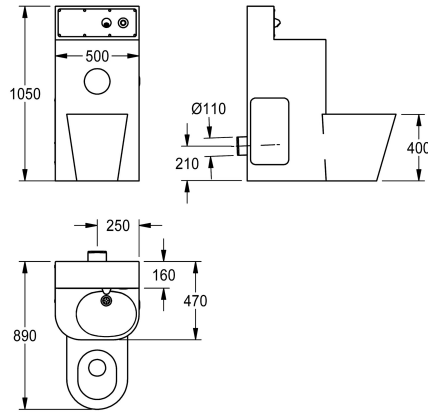


KWC HEAVY-DUTY WC washbasin combination

Modell-Linie: HEAVYDUTY | HDTX816M
Heavy Duty | Prison units



KWC-No.

2000100968

Version with WC pan angled 45° to the left, Dimensions 810 x 1050 x 780 mm (W x H x D)

2000100969

Version with centrally arranged WC pan Dimensions 500 x 1050 x 890 mm (W x H x D)

2000100970

Version with WC pan angled 45° to the right Dimensions 810 x 1050 x 780 mm (W x H x D)

WC position

left

middle

right

Chromium nickel steel WC washbasin combination, satin finish surface, for installing against a wall, with integrated electronic tap components. Invisible fixing with grub screws, lockable inspection opening. Mounting stand, material thickness 2 mm with elevated rear wall including wall outlet and piezo button with start/stop function with seamless welded toilet paper roll compartment and seamless moulded wash basin with plastic trap. WC pan, material thickness 1.6 mm with full-length skirting, arranged in the middle 90

degrees, bowl rim where nothing can hide with piezo button for WC flushing, flushing certified pursuant to EN 997, horizontal outlet at the back DIN 100. With solenoid to connect to premixed hot water or cold water. Condensation water-proof concealed cistern with single flush technology (9 or 6 litres) Supply voltage 24 V DC including fixing material.

Overall dimensions 500 x 1050 x 890 mm (W x H x D)

Technical Data

body width

500 mm

front access panel

yes

floor fixing joggle plate

no

inlet size

DN 15

material

stainless steel

material code

1.4301 Chrome Nickel steel V2A

material thickness body

2 mm

material thickness WC

1.5 mm

outlet size

DN 50 / DN 100

overall depth

890 mm

overall height

1,050 mm

overall width

500 mm

overflow

no

pipework material

stainless steel

self closing push buttons

electronic

toilet roll holder diameter

153 mm

shroud design

round shape

soap dish

no

spout length

83 mm



KWC HEAVY-DUTY WC washbasin combination

Modell-Linie: HEAVYDUTY | HDTX816M
Heavy Duty | Prison units

| | |
|-----------------------------|----------------|
| surface finish | satin finished |
| tap with integrated bubbler | no |
| type of flushing fitting | WC cistern |
| type of mounting | wall mounting |
| type of toilet seat | no seat |
| type of WC | floor standing |
| upper edge of basin height | 850 mm |
| upstand depth | 160 mm |
| upstand height | 200 mm |
| WC height | 400 mm |
| WC position | middle |

Mandatory Accessories



ECC2 function controller

2000108123
ZA30P0011



ECC2 function controller

2030016282
ZA30P0022



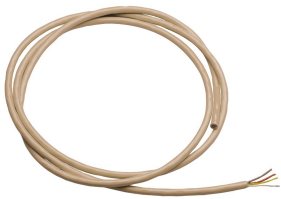
Power supply unit

2000100375
ZAQUA007



Power supply unit

2000102691
ZAQUA094



System cable

2000100801
ZAQUA077



System cable

2000100852
ZAQUA078



System cable

2000104272
ZAQUA011



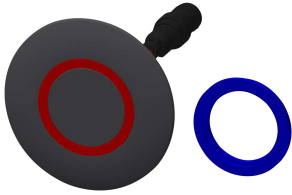
System cable

2000104274
ZAQUA012

Spare Parts

KWC HEAVY-DUTY WC washbasin combination

Modell-Linie: HEAVYDUTY | HDTX816M
Heavy Duty | Prison units



Piezo Switch

2000104441
EAT300001



Wall outlet, DN 15

2000107291
ZTAPS0004



Electrical T junction

2000100853
ZAQUA075



Solenoid valve

2000101328
ZAQUA032



Cleaning product CHROMOL

2000105091
ZWSPL0023



Stainless steel care set

2000109019
ZWSPL0024