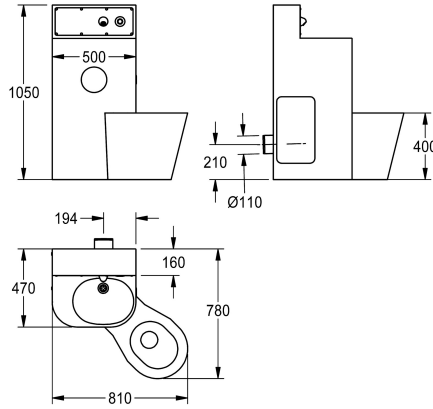


## KWC HEAVY-DUTY WC washbasin combination

Modell-Linie: HEAVYDUTY | HDTX816R  
Heavy Duty | Prison units



### KWC-No.

#### 2000100968

Version with WC pan angled 45° to the left, Dimensions 810 x 1050 x 780 mm (W x H x D)

#### 2000100969

Version with centrally arranged WC pan Dimensions 500 x 1050 x 890 mm (W x H x D)

#### 2000100970

Version with WC pan angled 45° to the right Dimensions 810 x 1050 x 780 mm (W x H x D)

### WC position

left

middle

right

Chromium nickel steel WC washbasin combination, satin finish surface, for installing against a wall, with integrated electronic tap components. Invisible fixing with grub screws, lockable inspection opening. Mounting stand, material thickness 2 mm with elevated rear wall including wall outlet and piezo button with start/stop function with seamless welded toilet paper roll compartment and seamless moulded wash basin with plastic trap. WC pan, material thickness 1.6 mm with full-length skirting, arranged on the right 45

degrees, bowl rim where nothing can hide with piezo button for WC flushing, flushing certified pursuant to EN 997, horizontal outlet at the back DN 100. With solenoid to connect to premixed hot water or cold water. Condensation water-proof concealed cistern with single flush technology (9 or 6 litres) Supply voltage 24 V DC including fixing material.

Overall dimensions 810 x 1050 x 780 mm (W x H x D)

### Technical Data

body width

500 mm

front access panel

yes

floor fixing joggle plate

no

inlet size

DN 15

material

stainless steel

material code

1.4301 Chrome Nickel steel V2A

material thickness body

2 mm

material thickness WC

1.5 mm

outlet size

DN 50 / DN 100

overall depth

780 mm

overall height

1,050 mm

overall width

810 mm

overflow

no

pipework material

stainless steel

self closing push buttons

electronic

toilet roll holder diameter

153 mm

shroud design

round shape

soap dish

no

spout length

83 mm



## KWC HEAVY-DUTY WC washbasin combination

Modell-Linie: HEAVYDUTY | HDTX816R  
Heavy Duty | Prison units

surface finish	satin finished
tap with integrated bubbler	no
type of flushing fitting	WC cistern
type of mounting	wall mounting
type of toilet seat	no seat
type of WC	floor standing
upper edge of basin height	850 mm
upstand depth	160 mm
upstand height	200 mm
WC height	400 mm
WC position	right

### Mandatory Accessories



ECC2 function controller

**2000108123**  
ZA30P0011



ECC2 function controller

**2030016282**  
ZA30P0022



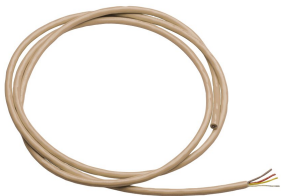
Power supply unit

**2000100375**  
ZAQUA007



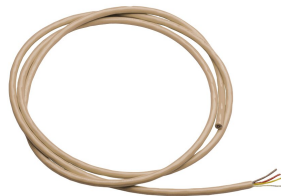
Power supply unit

**2000102691**  
ZAQUA094



System cable

**2000100801**  
ZAQUA077



System cable

**2000100852**  
ZAQUA078



System cable

**2000104272**  
ZAQUA011



System cable

**2000104274**  
ZAQUA012

### Spare Parts

## KWC HEAVY-DUTY WC washbasin combination

Modell-Linie: HEAVYDUTY | HDTX816R  
Heavy Duty | Prison units



Wall outlet, DN 15

**2000107291**  
ZTAPS0004



Electrical T junction

**2000100853**  
ZAQUA075



Solenoid valve

**2000101328**  
ZAQUA032



Cleaning product CHROMOL

**2000105091**  
ZWSPL0023



Stainless steel care set

**2000109019**  
ZWSPL0024