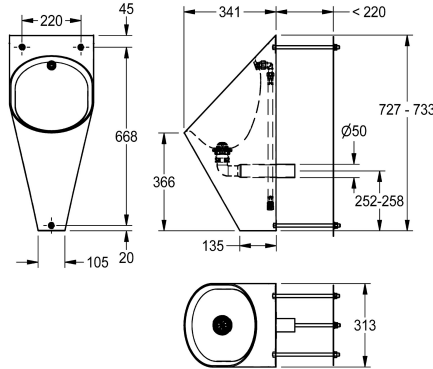


KWC HEAVY-DUTY Urinal

Modell-Linie: HEAVYDUTY | HDTX538
WCs and urinals | Single urinal



KWC-No.

2000101023

Wall-mounted urinal, dimensions 313 x 734 x 342 mm (W x H x D)

2000103385

Version as wall-mounted urinal with invisible flushing control

type of mounting

bolt fix with duct wall

wall mounting

type of waste kit

domed waste

perforated waste

Single urinal, hidden mounting with stainless steel rods through wall (service room behind needed), stainless steel, surface satin finished, material thickness 1.2 mm, oval bowl, hidden horizontal outlet towards wall, mounting and fixing conform to EN 80, hidden screws,

inclusive wall fixing bolts, 4 liter flush. With stainless steel spreader 1/2", inclusive domed waste and mounting material.

Dimensions 313 x 733 x 342 mm (W x H x D)

Technical Data

inlet size
material
material code
material thickness
outlet size
overall depth
overall height
overall width
siphon included
surface finish
type of flushing
type of mounting
type of urinal
type of waste kit
water inlet
water outlet

G 1/2 B
stainless steel
1.4301 Chrome Nickel steel V2A
1.2 mm
DN 50
342 mm
733 mm
313 mm
no
satin finished
water flushed
bolt fix with duct wall
single urinal
domed waste
concealed
concealed

