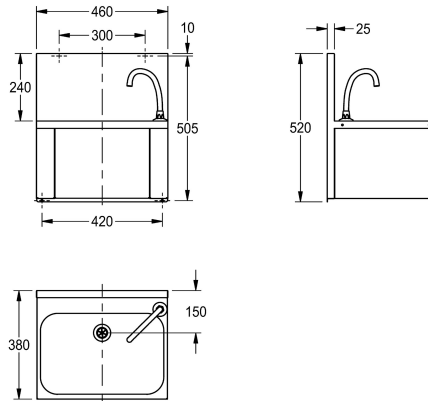


KWC ANIMA Washbasin with knee actuation

Modell-Linie: ANIMA | ANMX206
Washbasins & Washtroughs | Wash basins



KWC-No.

2000101025

Dimensions 420 x 380 x 520 mm (W x H x D)

Knee operated wash hand basin is manufactured from stainless steel-satin polish finish, material thickness 0.9 mm. Supplied complete with water spout positioned in rear right hand corner and 32 mm waste outlet. Note: The pre-mixing valve and the pipework linking the water spout to the knee operated front panel is all supplied with the washbasin. Wall mounted by fitting a top joggle

strip under the upstand return and by screw fixing through the integral rear brackets. Screws and plugs are not supplied.

Dimensions 420 x 520 x 380 mm (W x H x D)
Bowl dimensions 410 x 265 mm (W x D)

Technical Data

bowl - bowl height	265 mm
bowl finish	satin finished
bowl - depth	410 mm
bowl shape	rounded rectangle
material	stainless steel
material code	1.4301 Chrome Nickel steel V2A
material thickness	0.9 mm
overall depth	380 mm
overall height	520 mm
overall width	460 mm
overflow	no
rear upstand	no
splash back	yes
surface finish	satin finished
tap hole position	right
tap ledge	yes
type of mounting	wall mounting
waste hole position	centre back
waste kit included	yes
waste size	DN 32