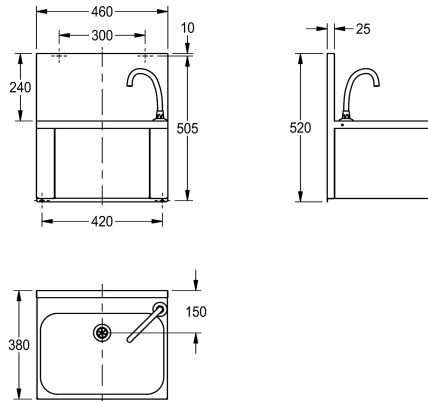


## KWC ANIMA Washbasin with knee actuation

Modell-Linie: ANIMA | ANMX206  
Washbasins & Washtroughs | Wash basins



### KWC-No.

**2000101025**

Dimensions 420 x 380 x 520 mm (W x H x D)

Knee operated wash hand basin is manufactured from stainless steel-satin polish finish, material thickness 0.9 mm. Supplied complete with water spout positioned in rear right hand corner and 32 mm waste outlet. Note: The pre-mixing valve and the pipework linking the water spout to the knee operated front panel is all supplied with the washbasin. Wall mounted by fitting a top joggle

strip under the upstand return and by screw fixing through the integral rear brackets. Screws and plugs are not supplied.

Dimensions 420 x 520 x 380 mm (W x H x D)  
Bowl dimensions 410 x 265 mm (W x D)

### Technical Data

bowl - bowl height

265 mm

bowl finish

satin finished

bowl - depth

410 mm

bowl shape

rounded rectangle

material

stainless steel

material code

1.4301 Chrome Nickel steel V2A

material thickness

0.9 mm

overall depth

380 mm

overall height

520 mm

overall width

460 mm

overflow

no

rear upstand

no

splash back

yes

surface finish

satin finished

tap hole position

right

tap ledge

yes

type of mounting

wall mounting

waste hole position

centre back

waste kit included

yes

waste size

DN 32