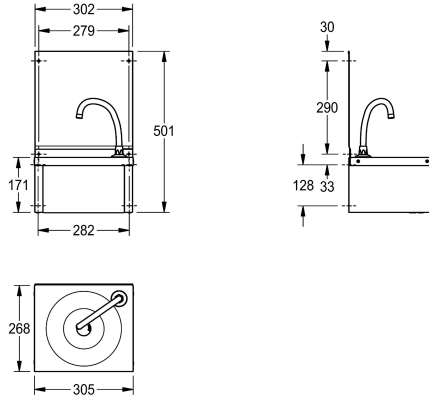


## KWC ANIMA Washbasin with knee actuation

Modell-Linie: ANIMA | ANMX216  
Washbasins & Washtroughs | Wash basins



### KWC-No.

**2000101028**

Knee operated wash hand basin is manufactured from stainless steel - satin polish finish, material thickness 0.9 mm. Supplied complete with water spout positioned in rear right hand corner and 32 mm waste outlet. Note: The pre-mixing valve and the pipework linking the water spout to the knee operated front panel is all supplied with the washbasin. Wall mounted by fitting a top joggle

strip under the upstand return and by screw fixing through the integral rear brackets. Screws and plugs are not supplied.

Dimensions 305 x 501 x 268 mm (W x H x D)  
Bowl Dimensions 240 x 125 mm (W x D)

### Technical Data

splash back height	330 mm
type of basin	Wash basin
bowl position	Center
bowl - bowl height	171 mm
bowl finish	satin finished
bowl - depth	221 mm
bowl shape	circle
bowl - width	221 mm
colour	no colour
material	stainless steel
material code	1.4301 Chrome Nickel steel V2A
material thickness	0.9 mm
overall depth	268 mm
overall height	501 mm
overall width	305 mm
overflow	no
rear upstand	no
splash back	yes
surface finish	satin finished
number of tap holes	1
tap hole diameter	32 mm
tap hole position	right
tap ledge	no
type of mounting	wall mounting
waste hole position	centre



**KWC ANIMA**

Washbasin with knee actuation

**Modell-Linie: ANIMA | ANMX216**

Washbasins & Washtroughs | Wash basins

waste kit included

yes

waste size

DN 25