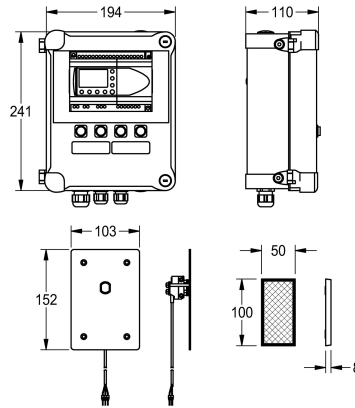
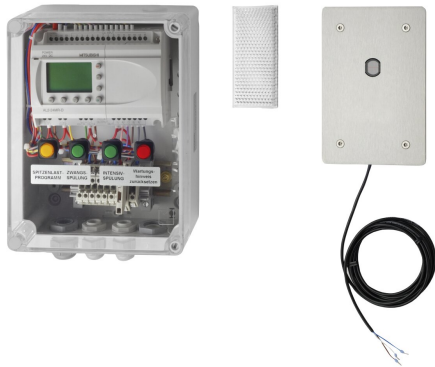


KWC Light barrier control

Modell-Linie: **LIGHT-BARRIER | AQR440**
Flushing systems | Electronic urinal flushing systems



KWC-No.

2000101045

Light beam control for automatic non-touch flushing of urinal slab facilities with a maximum niche width of 9.5 metres, consisting of

control, sensor and reflector, 24 VDC.

Technical Data

default automatic hygiene flush

Flushing volume adjustable

functional principle

material casing

overall depth

overall height

overall width

Parameterization

power supply connection

position of power connection

power consumption

Type of power supply

protective system IP

with transformer/power supply

type of flushing fitting

type of mounting

type of operation

type of sensor

Basic colour

not activated

no

electronic self-closing

synthetic

107 mm

220 mm

168 mm

manual thermal disinfection

24 V DC

from bottom

9 Voltampere

Transformer

IP 67 / 52

no

urinal flush valve

wall mounting

sensor operation

opto-electronic sensor

Other

Mandatory Accessories

KWC

Light barrier control

Modell-Linie: LIGHT-BARRIER | AQRE440

Flushing systems | Electronic urinal flushing systems



Power supply unit

2030068573

ASEX1031
