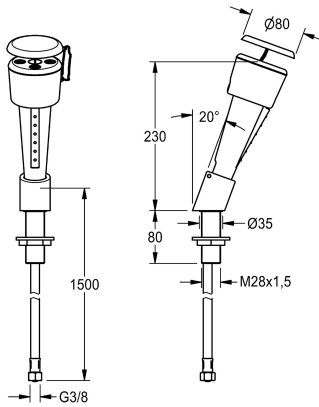


KWC

Eye- and face-wash fountain for table top installation

Modell-Linie: EMERGENCYSHOWERS | FAID100

Emergency showers | Eye cleaning tap



KWC-No.

2000101100

Eye-wash and face-wash fountain for table top installation with hand shower and hose with a stainless steel cover and .table mounting. Meets the requirements of EN 15154-2 and ANSI

Z358.1-2014. Green plastic hand shower, table mounting is brass, powder coated in white, dust protection cap with user instructions.

Technical Data

drip pan

no

diameter nominal

DN 15

type of fitting

table assembly

type of operation

trigger button

Spare Parts



KWC

Safety label eye-washing facility

2000101153

FAID903