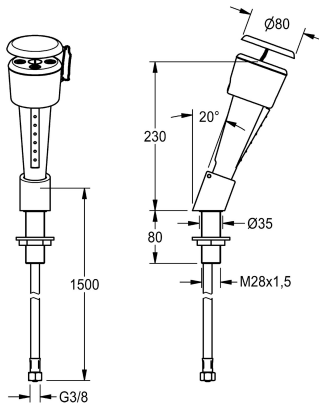


## KWC

Eye- and face-wash fountain for table top installation

Modell-Linie: EMERGENCYSHOWERS | FAID100

Emergency showers | Eye cleaning tap



### KWC-No.

2000101100

Eye-wash and face-wash fountain for table top installation with hand shower and hose with a stainless steel cover and .table mounting. Meets the requirements of EN 15154-2 and ANSI

Z358.1-2014. Green plastic hand shower, table mounting is brass, powder coated in white, dust protection cap with user instructions.

### Technical Data

drip pan

no

diameter nominal

DN 15

type of fitting

table assembly

type of operation

trigger button

### Spare Parts



KWC

### Safety label eye-washing facility

2000101153

FAID903