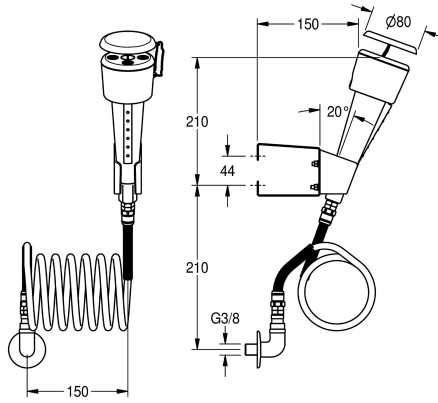


KWC

Eye- and face-wash fountain for mounting on walls or laboratory furniture

Modell-Linie: EMERGENCYSHOWERS | FAID103

Emergency showers | Eye cleaning tap



KWC-No.

2000101102

Eye-wash and face-wash fountain with green plastic hand shower and hose with a stainless steel cover. Meets the requirements of EN 15154, Part -2. Green plastic hand shower, dust protection cap

with user instructions.

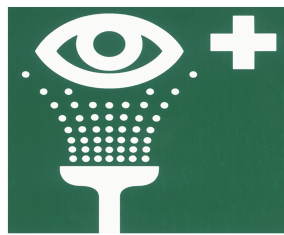
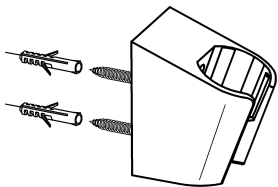
For mounting on walls or laboratory furniture, with spiral hose

Technical Data

drip pan
diameter nominal
type of fitting
type of operation

no
DN 15
on laboratory furniture
trigger button

Spare Parts



KWC

Wall mounting

2000103189
FAID905

Safety label eye-washing facility

2000101153
FAID903