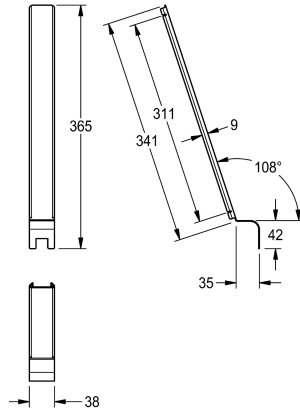


KWC CAMPUS Slab urinal connector

Modell-Linie: **CAMPUS | ZCMPX0008**
WCs and urinals | Complementary parts urinals / WC



KWC-No.

2000101123
Slab urinal connector

Connection plate for trough urinal NIAGARA CMPX551 - CMPX555,
stainless

steel, surface satin finished, material thickness 1 mm. To cover the
related joint of urinal combinations.

Technical Data

quantity

1

quantity uom

piece