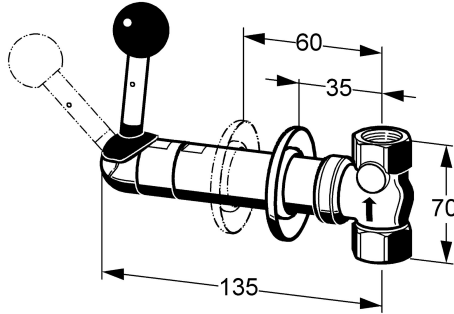


KWC

Emergency shower valve

Modell-Linie: EMERGENCYSHOWERS | FAID677
Emergency showers | Whole body showers



KWC-No.

2000101128

Emergency shower valve for surface mounting, installation depth 35-60 mm (standard version)

2000101129

Installation depth 35-95 mm

Emergency shower valve DN 20 for surface mounting with rosette, with drain hole, sealed with plug, tilt lever with ball handle, not self-closing. Includes the "emergency shower" safety symbol on an adhesive label in compliance with ISO 3864, Part 1 and user instructions, green EPS coated brass (RAL 6032). Meets the

requirements of EN 15154, Part 1. Volumetric flow unimpeded approx. 60 l/min at 1 bar pressure.

Installation depth 35 - 95 mm, connection G 3/4 B

Optional Accessories



Emergency showerhead with wall bracket

2030018821
FAID0002



Emergency showerhead

2030018810
FAID0001



Wall arm

2030018827
ZFAID0001



Wall arm holder

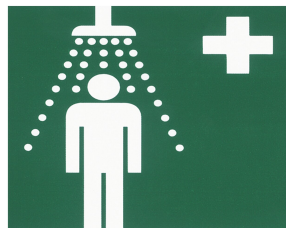
2030060157
ZFAID700

Spare Parts

KWC

Emergency shower valve

Modell-Linie: EMERGENCYSHOWERS | FAID677
Emergency showers | Whole body showers



KWC

Safety label emergency shower

2000101152
FAID904
