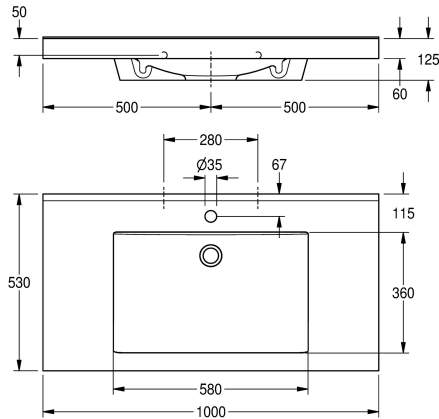


KWC QUADRO Single washbasin

Modell-Linie: **QUADRO | ANMW416**
Washbasins & Washtroughs | Wash basins



KWC-No.

2000101159

With 35 mm diameter tap hole

2030036243

Without tap hole

number of tap holes

1

QUADRO single washbasin made of MIRANIT resin-bonded mineral material, with smooth, pore-free surface (temperature-resistant up to 80 °C). Alpine white colour. With seamless, rectangular bowl without overflow, with tap hole. Mounting on washbasin back panel. Rear contoured edge. Three-sided apron

60 mm (H). Mounting material included.

Dimensions 1000 x 125 x 530 (W x H x D)
Bowl dimensions 580 x 40/90 x 360 (W x H x D)

Technical Data

bowl position	Center
bowl - bowl height	90 mm
bowl - depth	360 mm
bowl shape	rectangle
bowl - width	580 mm
colour	alpinewhite
material	mineral material
material code	Miranit
overall depth	530 mm
overall height	125 mm
overall width	1,000 mm
overflow	no
rear upstand	yes
siphon included	no
splash back	no
number of tap holes	1
tap hole diameter	35 mm
tap hole position	middle
tap ledge	yes
type of mounting	wall mounting
waste hole position	centre back
waste hole projection	185 mm
waste kit included	no

bowl position	Center
bowl - bowl height	90 mm
bowl - depth	360 mm
bowl shape	rectangle
bowl - width	580 mm
colour	alpinewhite
material	mineral material
material code	Miranit
overall depth	530 mm
overall height	125 mm
overall width	1,000 mm
overflow	no
rear upstand	yes
siphon included	no
splash back	no
number of tap holes	1
tap hole diameter	35 mm
tap hole position	middle
tap ledge	yes
type of mounting	wall mounting
waste hole position	centre back
waste hole projection	185 mm
waste kit included	no



KWC QUADRO Single washbasin

Modell-Linie: QUADRO | ANMW416
Washbasins & Washtroughs | Wash basins

waste size

DN 32

Optional Accessories



Strainer waste

2000100854
ZANMW901



Dome waste valve

2000100861
ZANMW900



Drain and overflow set

2000100932
ZANMW902



Trap

2000057417
XINX140