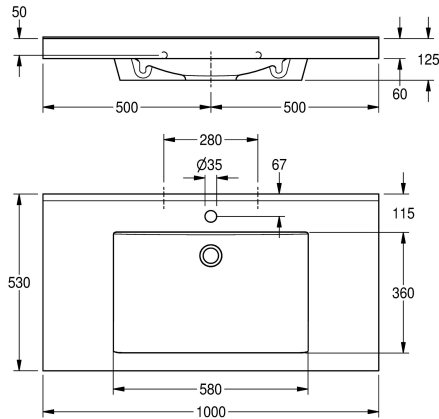


KWC QUADRO Single washbasin

Modell-Linie: **QUADRO | ANMW416**
Washbasins & Washtroughs | Wash basins



KWC-No.

2000101159

With 35 mm diameter tap hole

2030036243

Without tap hole

number of tap holes

1

QUADRO single washbasin made of MIRANIT resin-bonded mineral material, with smooth, pore-free surface (temperature-resistant up to 80 °C). Alpine white colour. With seamless, rectangular bowl without overflow, with tap hole. Mounting on washbasin back panel. Rear contoured edge. Three-sided apron

60 mm (H). Mounting material included.

Dimensions 1000 x 125 x 530 (W x H x D)
Bowl dimensions 580 x 40/90 x 360 (W x H x D)

Technical Data

bowl position

center

bowl - bowl height

90 mm

bowl - depth

360 mm

bowl shape

rectangle

bowl - width

580 mm

colour

alpinewhite

material

mineral material

material code

Miranit

overall depth

530 mm

overall height

125 mm

overall width

1,000 mm

overflow

no

rear upstand

yes

siphon included

no

splash back

no

number of tap holes

1

tap hole diameter

35 mm

tap hole position

middle

tap ledge

yes

type of mounting

wall mounting

waste hole position

centre back

waste hole projection

185 mm

waste kit included

no



KWC QUADRO Single washbasin

Modell-Linie: QUADRO | ANMW416
Washbasins & Washtroughs | Wash basins

waste size

DN 32

Optional Accessories



Strainer waste

2000100854
ZANMW901



Dome waste valve

2000100861
ZANMW900



Drain and overflow set

2000100932
ZANMW902



Trap

2000057417
XINX140